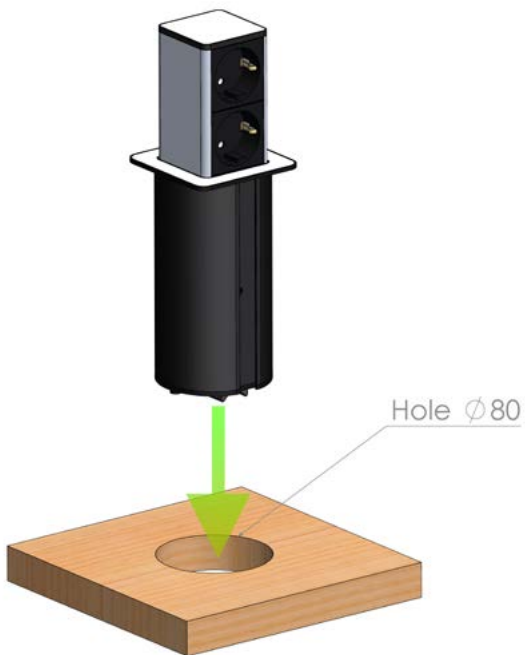


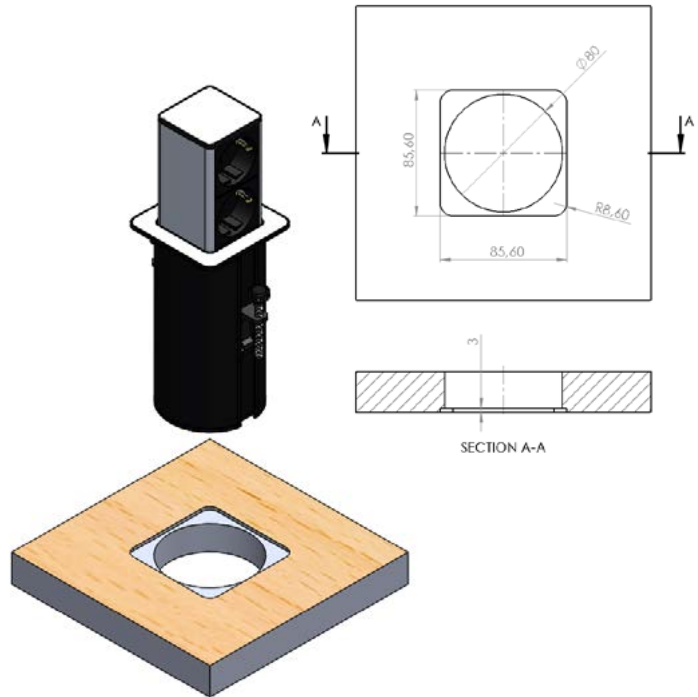
STEP 1

Insert the device in the $\varnothing 80$ opening you previously drilled.



STEP 1A (OPTIONAL)

If you want to install the device in a way that it's top surface comes flush with the work surface, you need to create an opening shown in the image.



STEP 2

Slide two clamps in device slots until they snap in place.



STEP 3

Tighten screws of device clamps with provided Alen key.

