

Product Datasheet

TOUCH PANELS WITH AUXILIARY SWITCHES



DESCRIPTION

Toyama Touch Art switches are intelligent control devices that provides convenient and comfort to the user. Usage of SMD components not only ensures reliability but also makes the product highly compact for its functionality and features. The use of SMPS (Switch Mode Power supply) makes the Touch Art switches operational across countries from North America having 127V supply to European/Asian countries having 230V supply without any field setting. The various functions can be performed from the wall unit or hand held IR remote. Option is available for the switches to operate with home gateway through Wireless Zigbee protocol or wired RS485/232 interface for Automation.

PRODUCT TYPES	SUITABLE FOR NETWORK	SUFFIX
TOYAMA TOUCHCHART (IR) SWITCHES	STANDALONE(IR)	-NA-
TOYAMA WI-FI SWITCHES	WI-FI	WI-FI=W
TOYAMA ZIGBEE SWITCHES	ZIGBEE	ZIGBEE=Z
TOYAMA RS485 SWITCHES	RS485	RS485=C

SWITCH TYPES	MODES OF CONTROL			
	MANUAL	IR REMOTE	MOBILE APP	VOICE COMMANDS
IR SWITCH	●	●		
WIFI SWITCH	●	●	●	●
ZIGBEE SWITCH	●	●	●	●
RS485 SWITCH	●	●	●	●

TECHNICAL DATA T18 101B/ T18 101D

Power Source	: 90-270V/AC
Power Frequency	: 50-60Hz
Number of Switching Zones	: 15A
Operating Temperature	: -10 to +55 °C
Standby power Consumption	: <10mW




TECHNICAL DATA:

Power Source	: 90-270V/AC
Power Frequency	: 50-60Hz
Rated Load	: 15A
Number of Switching Zones	: 1
Load per switching zone	: GLS bulbs 1000W / Halogen lamps 300W / Fluorescent lamps 4 fittings Maximum of 5 No's of 7W LED Lights or Maximum of 10 No's of 3W LED Lights or 40W total load per Relay switch.
Remote Operating range	: 25 Feet
Operating Temperature	: -10 to +55 °C
Standby power Consumption	: <10mW

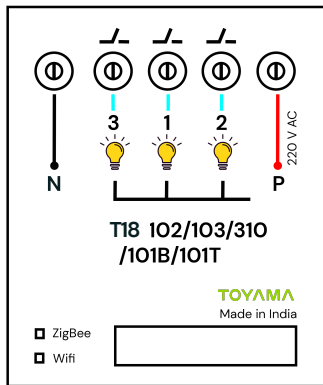
CAUTION:

- Proper ELCB (Earth Leakage Circuit Breaker) are installed as any leakage current can lead to malfunction of the touch panels.
- During design proper consideration is given in selection of Load and Touch panel. Improper selection of loads and panels may result in burning of panels.
- Kindly fix the switches with proper screws, in right metal boxes , without any air gap between the glass panel and the back plate locking . Improper mounting will lead to the touch panel operation malfunction.
- To install the Touch panels after completion of painting. Dust & paint penetration in the panels will lead to the malfunction of touch panels.
- Device can withstand upto 300V continuously without issue. It can withstand upto 350V for upto 1 minute. Will burn if more than 350V is supplied continuously.
- For Bell Switch, Each on/off circuit is rated to 1A resistive load only. If the load is greater than the specification the device will be damaged and will no longer functions.
- For Two Way Switch, Each on/off circuit is rated to 10A resistive load only. If the load is greater than the specification the device will be damaged and will no longer functions.
- If a direct short is created on the output /load, the device will be damaged and will no longerfunction.

Product Datasheet

SL NO.	PRODUCT IMAGE	PRODUCT DIMENSIONS	METAL BOX	PRODUCT CODE (X=B-BLACK & W- WHITE)
1		90 X 90 mm	2 Module Metal Box (75x75x50mm)	IR - T18X 101B
				Wi-Fi - T18X 101B F
				Zigbee - T18X 101B Z
				RS 485 - T18X 101B C
2		90 X 90 mm	2 Module Metal Box (75x75x50mm)	IR - T18X 101D
				Zigbee - T18X 101D Z
				RS 485 - T18X 102 C
3		90 X 90 mm	2 Module Metal Box (75x75x50mm)	IR - T18X 103

WIRING DIAGRAMS



STANDARD WARRANTY

Toyama offers a standard 2 years limited warranty on all the Touch Art switches.

ORDER

For order, kindly send an email to enquiry@toyamaworld.com with the product codes.