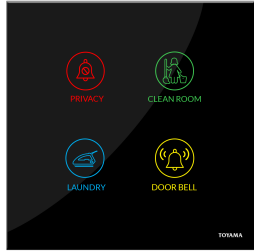


Product Datasheet

WIRED & WIRELESS CORRIDOR PANEL & SERVICE PANEL



TH18 414



TH18 404

DESCRIPTION

Toyama Touch Art switches are intelligent control devices that provides convenient and comfort to the user. Usage of SMD components not only ensures reliability but also makes the product highly compact for its functionality and features. The use of SMPS (Switch Mode Power supply) makes the Touch Art switches operational across countries from North America having 127V supply to European/Asian countries having 230V supply without any field setting. The various functions can be performed from the wall unit or hand held IR remote.

TECHNICAL DATA:

Power Source	: 90-270V/AC
Power Frequency	: 50-60Hz
Rated Load	: 15A
Corridor Panel (indicator icons)	: "Privacy", "Clean Room", "Laundry" & "Bell"
Service Panel (indicator icons)	: "Privacy", "Clean Room" & "Laundry"
Operating Temperature	: -10 to +55 °C
Standby power Consumption	: <10mW

NOTE: SUITABLE FOR

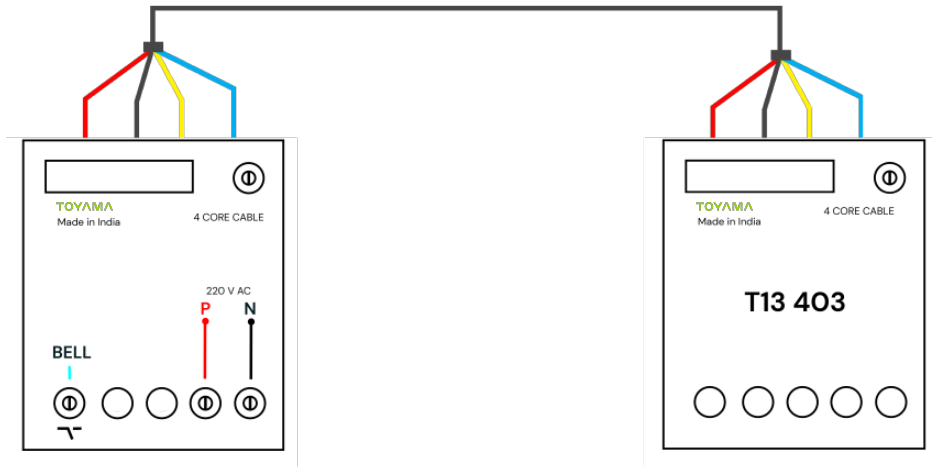
- Mounting metal box for the device - 2 Module (75mmX75mmX50mm)
- Use 1.5 Sq.mm flexible wires for Phase, Neutral & Load connections.

SAFETY WARNINGS

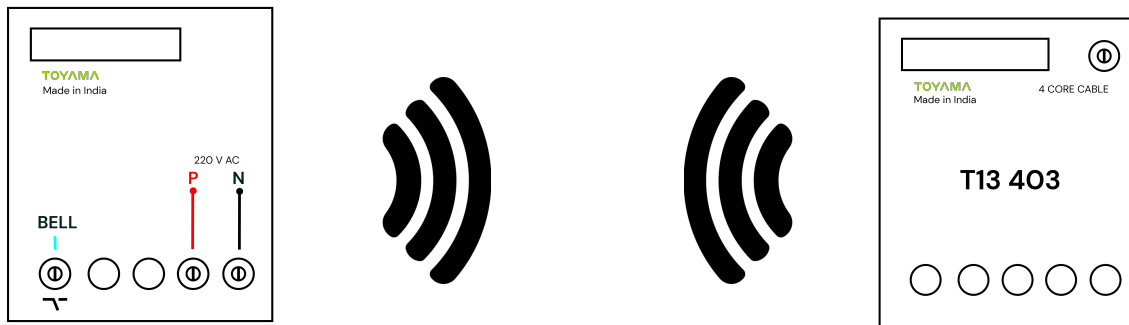
- Device can withstand upto 300V continuously without issue. It can withstand upto 350V for upto 1 minute. Will burn if more than 350V is supplied continuously.
- If a direct short is created on the output /load, the device will be damaged and will no longer function.

Product Datasheet

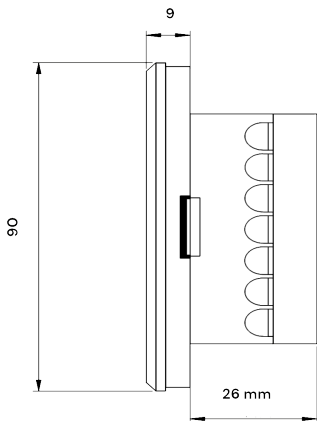
WIRING DIAGRAMS - WIRED SOLUTION



WIRING DIAGRAMS - WIRELESS SOLUTION



MECHANICAL DIMENSIONS



STANDARD WARRANTY

Toyama offers a standard 2 years limited warranty on all the Touch Art switches.

ORDER

For order, kindly send an email to enquiry@toyamaworld.com with the product codes.