

THERMOSTAT



DESCRIPTION

Toyama AC CONTROLLER is an intelligent touch panel that provides convenience and comfort to the user. The current touch technology which is in use in all the hi-tech gadgets is adopted in these devices. Very attractive back lit seven segment graphic display is very pleasing to the eye. Extensive usage of SMD components not only ensures reliability but also makes the product highly compact for its functionality and features. The use of SMPS (Switch Mode Power supply) makes the Touch panel operational across countries from North America having 127V supply to Asian countries with 230V supply without any field setting. It controls the speed of blower in FCU or AHU of the central air-condition and maintains the set room temperature to the comfort of guests.

PRODUCT TYPES	SUITABLE FOR NETWORK	SUFFIX
TOYAMA TOUCHCHART (IR) SWITCHES	STANDALONE(IR)	-NA-
TOYAMA ZIGBEE SWITCHES	ZIGBEE	ZIGBEE=Z
TOYAMA RS485 SWITCHES	RS485	RS485=C

APPLICATION

- Hotels/Motels
- Service Apartments
- Office buildings

PLEASE READ THE INSTRUCTIONS BEFORE INSTALLING:

- AC Controller should preferably be installed by a Toyama trained installer (electrician)
- Installation procedure should strictly be as per the installation chart.
- Before installing AC Controller, check all the wiring for open/short circuits or any leakage.
- Ensure wires are properly connected between AC Controller to the Blower and the chiller valve.

FEATURES

- Luminescent screen indicate indoor temperature, present temperature, wind speed and time.

- Its intelligent circuit controls three steps of wind speed, cooling mode, heating mode and auto mode.
- LED touch-types button with backlight comply with trend and it is convenient to clearly operate even in the dark.
- Effectively save more than 30% energy.
- Super-luxuriously designed and made so ABS fire resistant, insulating metal materials.

SPECIFICATIONS

Power voltage	: 90-270V/AC
Power Frequency	: 50-60Hz
Temperature Range	: 16 °C to 30 °C
Temperature control precision	: +/- 1 °C
Operating Temperature	: 0°C to +50 °C
Dissipation power	: < 2 W
Dimension	: W86mmXH86mmXD46mm
Timer	: Optional
Valve Modulation	: 1-10 V

INSTALLATION OF AC CONTROLLER PANEL SYSTEMS – STEPS:

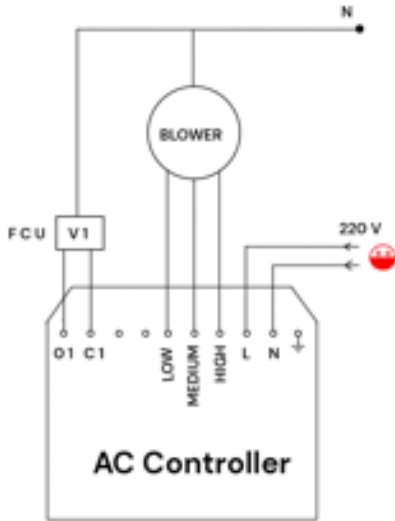
- Turn off power through the MCB.
- Connect the AC Controller L (phase) & N (neutral) wires to Main phase & neutral.
- Connect the Blower motor wires of "Low", Medium and High to AC Controller Low, Medium and High terminals.
- Connect chiller valve open and close terminals to AC controller O and C
- Carefully screw the unit on to the metal box and click the front plate.
- Turn on the MCB.

CAUTION

- Proper ELCB (Earth Leakage Circuit Breaker) are installed as any leakage current can lead to malfunction of the touch panels
- During design proper consideration is given in selection of Load and Touch panel. Improper selection of loads and panels may result in burning of panels
- Kindly fix the switches with proper screws, in right metal boxes , without any air gap between the glass panel and the back plate locking . Improper mounting will lead to the touch panel operation malfunction
- To install the Touch panels after completion of painting. Dust & paint penetration in the panels will lead to the malfunction of touch panels
- Device can withstand upto 300V continuously without issue. It can withstand upto 350V for upto 1 minute. Will burn if more than 350V is supplied continuously.
- If a direct short is created on the output /load, the device will be damaged and will no longer function.

SL NO.	PRODUCT IMAGE	PRODUCT DIMENSIONS	METAL BOX	PRODUCT CODE (X=B-BLACK & W- WHITE)
1		90 X 90 mm	2 Module Metal Box (75x75x50mm)	IR - T18X 501 M (220 V)
				Zigbee - T18X 501 M Z (220 V)
				RS 485 - T18X 501 M (220 V) C
2		90 X 90 mm	2 Module Metal Box (75x75x50mm)	IR - T18X 501 M (24 V)
				Zigbee - T18X 501 M (24 V) Z
				RS 485 - T18X 501 M (24 V) C

WIRING DIAGRAMS



STANDARD WARRANTY

Toyama offers a standard 2 years limited warranty on all the Touch Art switches.

ORDER

For order, kindly send an email to enquiry@toyamaworld.com with the product codes.