

## TWO WAY RELAY



## DESCRIPTION

Toyama Two Way Relay is used for communication between Two Toyama Touch panels.

## TECHNICAL SPECIFICATION

Power Source	: 170V – 250V/AC
Power Frequency	: 50 – 60Hz
Rated Load	: Max 40W
Operating Temperature	: –5 to +40°C

## FEATURES

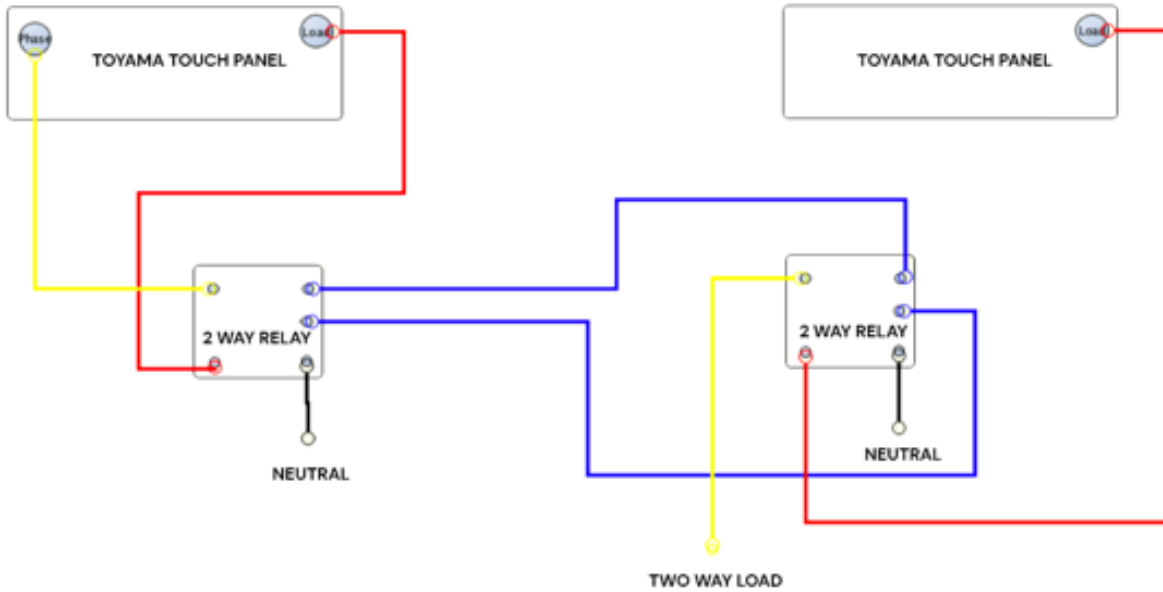
- 4kV Dielectric Strength (between coil & contacts)
- Heavy load upto 7,200VA
- PCB Coil terminals, ideal for heavy duty load
- Unenclosed, Wash tight and dust protected
- Environmental Friendly Product (RoHS Compliant)
- Outline Dimensions: (32.2 x 27.0 x 20.1)mm

## MOUNTING OPTION

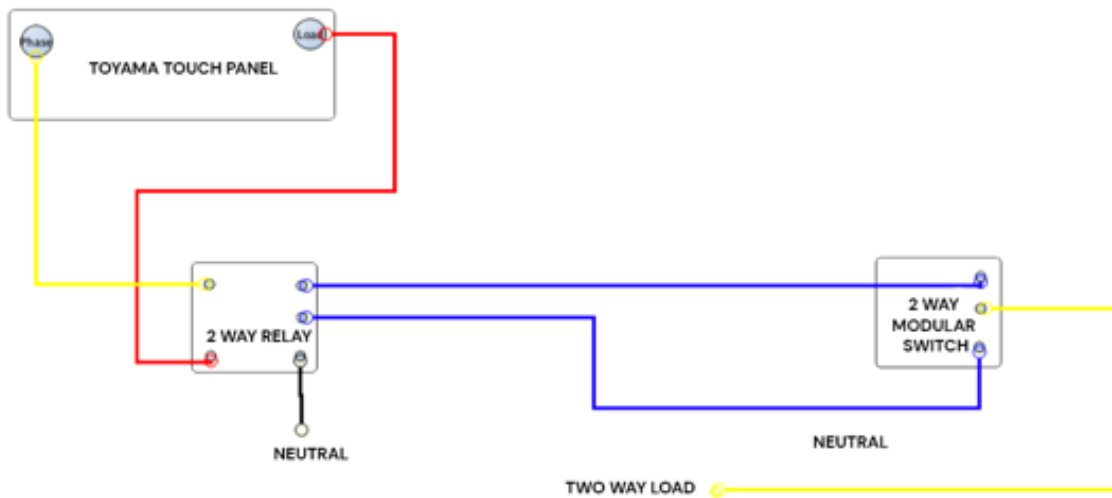
- Suitable for two way communication.
- Use 1.5 Sq.mm flexible wires for Phase, Neutral & Load connections.

## TOYAMA TOUCH PANEL TO TOUCH PANEL & TOUCH PANEL TO MODULAR SWITCHES TWO WAY WIRING DIAGRAM:

### A. WIRING BETWEEN TWO TOUCH PANELS



### B. WIRING BETWEEN TOUCH PANEL AND MODULAR SWITCH



## ORDER

For order, kindly send an email to [enquiry@toyamaworld.com](mailto:enquiry@toyamaworld.com) with the product code : TYR TWO