

## TOUCH PANELS WITH DIMMING CONTROLS



## OVERVIEW

Toyama Touch Art switches are intelligent control devices that provides convenient and comfort to the user. Usage of SMD components not only ensures reliability but also makes the product highly compact for its functionality and features. The use of SMPS (Switch Mode Power supply) makes the Touch Art switches operational across countries from North America having 127V supply to European/Asian countries having 230V supply without any field setting. The various functions can be performed from the wall unit or hand held IR remote. Option is available for the switches to operate with home gateway through Wireless Zigbee protocol or wired RS485/232 interface for Automation.

| PRODUCT TYPES                   | SUITABLE FOR NETWORK | SUFFIX   |
|---------------------------------|----------------------|----------|
| TOYAMA TOUCHCHART (IR) SWITCHES | STANDALONE(IR)       | -NA-     |
| TOYAMA WI-FI SWITCHES           | WI-FI                | WI-FI=W  |
| TOYAMA ZIGBEE SWITCHES          | ZIGBEE               | ZIGBEE=Z |
| TOYAMA RS485 SWITCHES           | RS485                | RS485=C  |

| SWITCH TYPES  | MODES OF CONTROL |           |            |                |
|---------------|------------------|-----------|------------|----------------|
|               | MANUAL           | IR REMOTE | MOBILE APP | VOICE COMMANDS |
| IR SWITCH     | ●                | ●         |            |                |
| WIFI SWITCH   | ●                | ●         | ●          | ●              |
| ZIGBEE SWITCH | ●                | ●         | ●          | ●              |
| RS485 SWITCH  | ●                | ●         | ●          | ●              |

## TECHNICAL DATA:

Power Source : 90-270V/AC

Power Frequency : 50-60Hz

Remote Operating range : 25 Feet

Operating Temperature : -10 to +55 °C

Standby power Consumption : <10mW

Load per Dimming Zone (220V) :

- GLS bulbs 200W Halogen lamps 100W
- LED fitting/Strip – 12V/3A to 5A driver – 1 no only
- LED fitting/Strip – 12V/1A to 2A driver – 2 no's only
- Maximum of 2 No's of 7W Dimmable LED Lights or Maximum of 4 No's of
- 3W Dimmable LED Lights or 16W total load per Dimming Channel.

(For Higher loads, kindly use the 20A High Power Relays)

Load per Dimming Zone (1-10V) :

- Suitable with 1-10V Electronic Dimmable LED Driver.
- LED Lights – Maximum 4 Drivers. LED Strips – Maximum 25 Metres

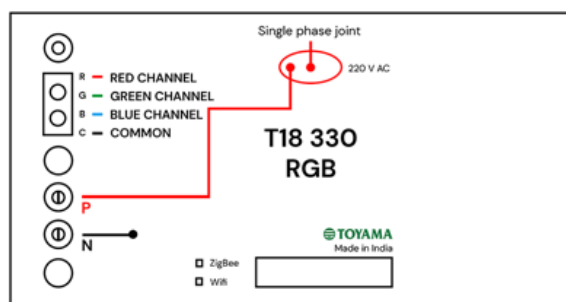
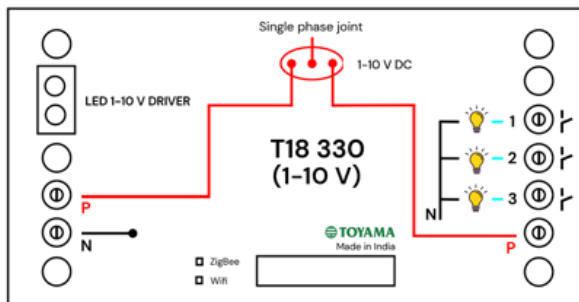
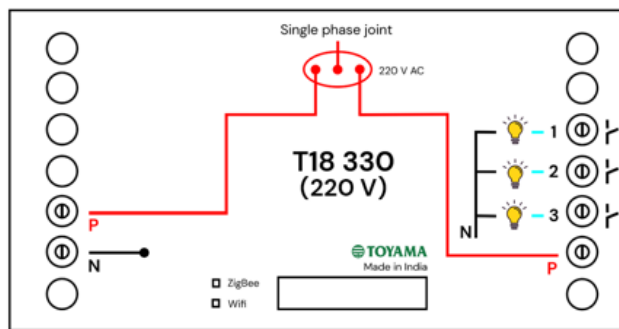
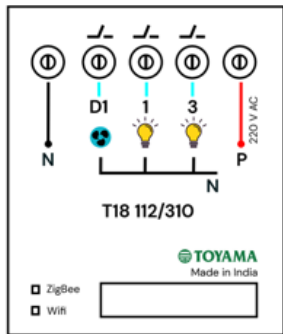
(This is the maximum loads , cannot connect Power Booster)

## CAUTION:

- Proper ELCB ( Earth Leakage Circuit Breaker) are installed as any leakage current can lead to malfunction of the touch panels
- During design proper consideration is given in selection of Load and Touch panel. Improper selection of loads and panels may result in burning of panels
- Kindly fix the switches with proper screws, in right metal boxes , without any air gap between the glass panel and the back plate locking . Improper mounting will lead to the touch panel operation malfunction
- To install the Touch panels after completion of painting. Dust & paint penetration in the panels will lead to the malfunction of touch panels
- Device can withstand upto 300V continuously without issue. It can withstand upto 350V for upto 1 minute. Will burn if more than 350V is supplied continuously.
- Each Dimmer Channel Max load on LED Lights is 16W only. For overload kindly use the 1 channel TRIAC Power Booster.
- If a direct short is created on the output /load, the device will be damaged and will no longerfunction.

| SL NO. | PRODUCT IMAGE | PRODUCT DIMENSIONS | METAL BOX                        | PRODUCT CODE (X=B-BLACK & W- WHITE) |
|--------|---------------|--------------------|----------------------------------|-------------------------------------|
| 1      |               | 90 X 90 mm         | 2 Module Metal Box (75x75x50mm)  | IR - T18X 310                       |
|        |               |                    |                                  | Wi-Fi - T18X 310 F                  |
|        |               |                    |                                  | Zigbee - T18X 310 Z                 |
|        |               |                    |                                  | RS 485 - T18X 310 C                 |
| 2      |               | 90 X 146 mm        | 4 Module Metal Box (75x140x50mm) | IR - T18X 330 (220V)                |
|        |               |                    |                                  | Wi-Fi - T18X 330 F (220V)           |
|        |               |                    |                                  | Zigbee - T18X 330 Z (220V)          |
|        |               |                    |                                  | RS 485 - T18X 330 C (220V)          |
| 3      |               | 90 X 146 mm        | 4 Module Metal Box (75x140x50mm) | IR - T18X 330 (1-10V)               |
|        |               |                    |                                  | Wi-Fi - T18X 330 F (1-10V)          |
|        |               |                    |                                  | Zigbee - T18X 330 Z (1-10V)         |
|        |               |                    |                                  | RS 485 - T18X 330 C (1-10V)         |

## WIRING DIAGRAMS



## STANDARD WARRANTY

Toyama offers a standard 2 years limited warranty on all the Touch Art switches.

## ORDER

For order, kindly send an email to [enquiry@toyamaworld.com](mailto:enquiry@toyamaworld.com) with the product codes.