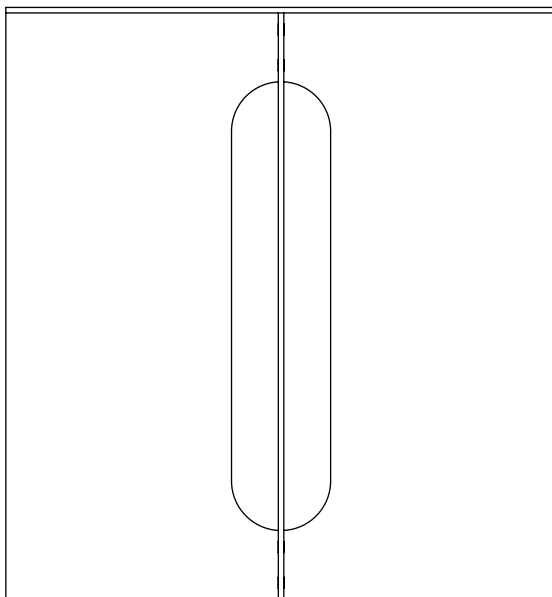


# Androgynous Side Table by Danielle Siggerud



MENU

## **Cleaning & Care**

The beauty of marble is that no two pieces are the same. Formed over thousands of years, each piece bears the trace of its history. So expect natural imperfections and markings – they make your marble unique. A little care and maintenance will reward you with a lifetime of service.

## **Care Instructions**

To respect the authenticity of the natural stone, MENU A/S never treats marble with a sealer. Instead, we give the marble a natural finish, leaving it with an unpolished satin smooth surface. Marble is soft, porous and absorbent. Take care to avoid contact with liquids, such as coffee, tea and juices. Never place acidic fruit on a marble surface. Avoid chemicals and corrosive substances.

## **Prevention is the best cure**

To avoid damage, use trivets, coasters and placemats to protect from hot dishes or anything that may scratch or stain the surface. If you do have an accident, blot spills with paper towels (don't rub – it will spread the liquid). Use a pH neutral detergent or stone soap to prevent the stain from drying out or absorbing into the stone.

## **Regular care**

Be gentle to your marble. Dust once or twice a week with a soft cloth (microfiber). Wash from time to time with a cloth dampened with warm water, if necessary adding a small squeeze of pH neutral dishwashing liquid. Take care to remove the soap with a fresh damp cloth. Don't use abrasive cloths, sponges or wire pads, which may scratch the surface.

## **Removing heavy stains**

We recommend a specialist natural stone soap to treat difficult stains. Never use acidic detergents (such as bathroom cleaners) or detergents containing bleach. Thoroughly rinse with clean water to remove all traces of soap.

## **Long-term care**

Marble is a natural stone, and over time your product will develop its own unique patina from use, with variations in colour and surface sheen.

At MENU A/S we love marble in all its naked glory, but appreciate that you might have other ideas. Should you wish to seal the surface, we recommend using a natural wax, which fills the micro holes on the surface. This treatment should be applied twice a year.

Please note: a sealer will remove the natural look of the marble.

## **Maintenance Steel**

Clean the steel by using a soft cloth. Avoid using water, but you can use a damp cloth for stubborn spots. Do not use abrasive cleaners, chemical solvents, strong detergents, chlorine-based liquids or furniture polish on the steel as this will cause the steel to rust. Be sure to dry off the steel with a dry cloth after cleaning floors to avoid spots on the steel.

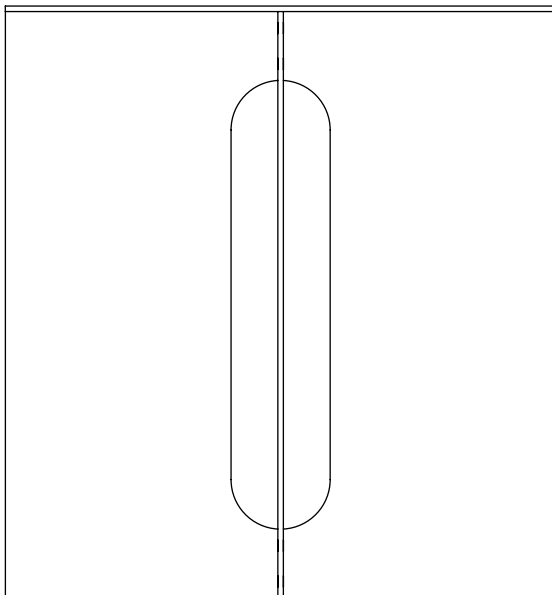
**Protection caps**

If needed please use the protection caps provided in the small polybag enclosed the care instruction. The protection caps help prevent scratching flooring or as leveling on lean surface.

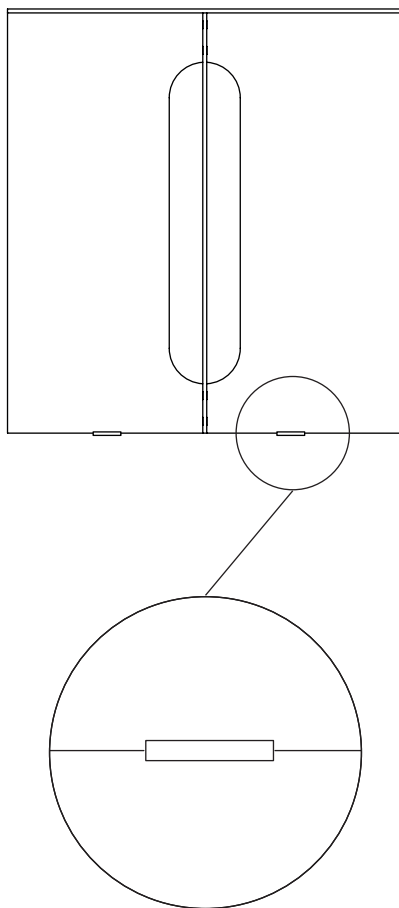
**IMPORTANT**

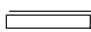
Please note when lifting or moving the Androgynne Side Table lift by holding the steel base and not the marble top as the top is not fixed. The marble top is very heavy which could make dents or scratching on the floor if not handled carefully.

# 1. Androgyne Side Table



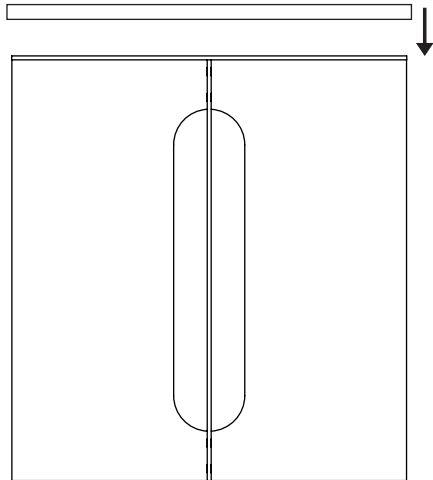
2.



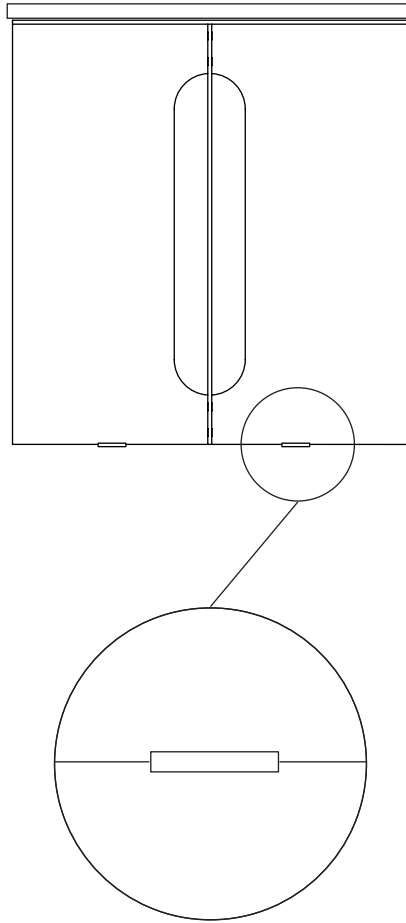
 x4


Small transparent plastic parts, to protect the floor.

# 1. Androgyne Side Table with Marble Top



2.



 x4

Small transparent plastic parts, to protect the floor.

