

Ted Synnott

Pillar Table

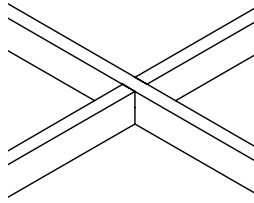


# Pillar Table

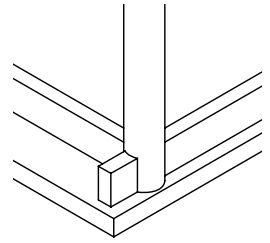
Crafted in either European Beech or American Oak, the Pillar Table is designed to anchor itself in a space. Solid wood construction and intersecting straight lines bring a sculptural form into the home, office or restaurant.



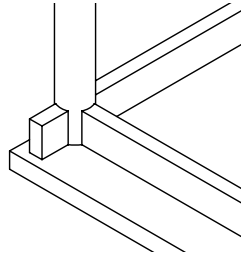
➤ European Beech.



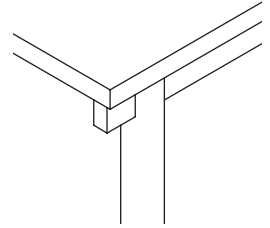
a. Central cross-frame detail strengthens the table laterally.



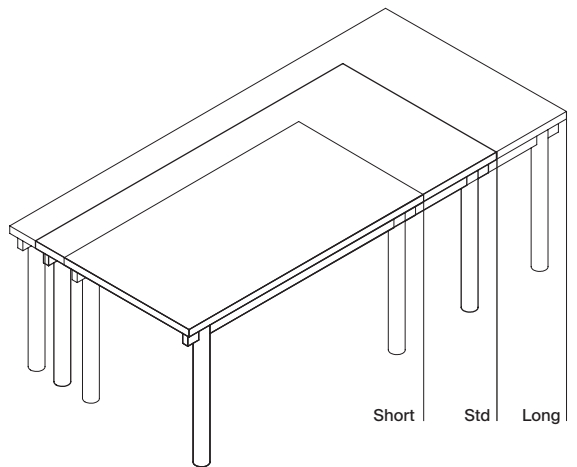
c. Solid wood construction in detail.



b. Table frame integrates with the cylindrical legs internally.



d. Straight lines intersect curves at the leg joins.



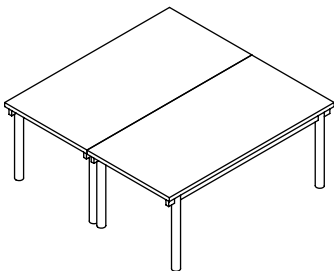
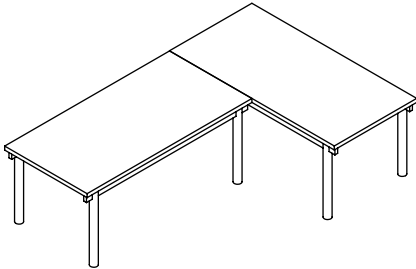
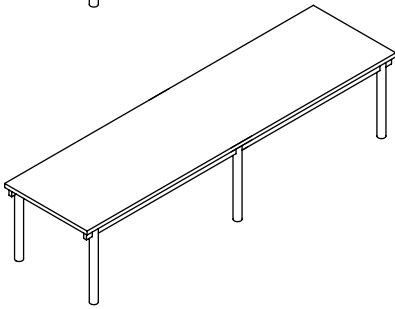
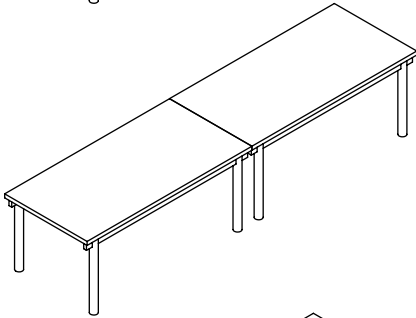
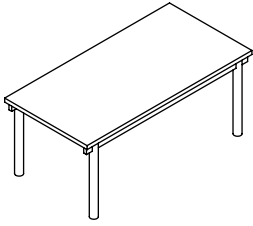
<b>Material</b>	European Beech		American Oak
<b>Finish</b>	Natural Matte Lacquer		
<b>Dimensions [mm]</b>	<b>Standard</b>	<b>Short</b>	<b>Long</b>
Length	1800	1400	2200
Width	900	800	1000
Height	750	750	750

Custom Sizes Available on request, get in touch with the team at [studio@tedsynnott.com](mailto:studio@tedsynnott.com).



Internal joins within the cylindrical legs hide the strong framework beneath allowing for a clean finish with no sacrifice of integrity.

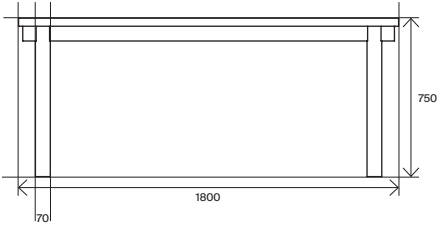
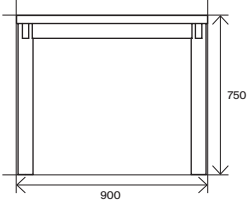
## Combinations



The Pillar Table has been built to grow with the space as necessary: additional legs can be added to lengthen the table indefinitely. It can also be made for corners or be made taller to best fit any space, and with precise angles, multiple tables can be aligned to accommodate larger groups.

If you are unsure as to what combination would best suit your needs or have a tricky situation, get in touch and we will plan a solution with you.

# Objects & Spaces



Contact  
(+64) 21 02488592  
studio@tedsynnott.com

