

Ted Synnott

Slow Table



Slow Table

The Slow Table brings softened weight, with a solid American Oak construction producing a form that braces itself in a space. Despite its apparent weight, offset legs give the illusion of movement and lightness.

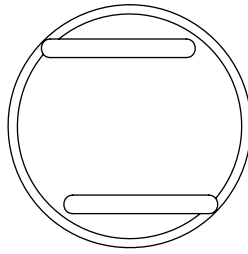




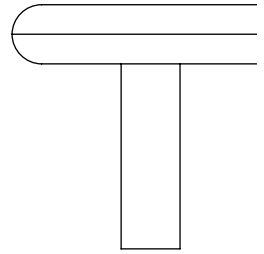
➤ Solid American Oak construction



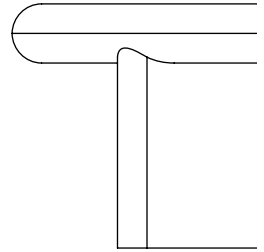
➤ An offset stance brings a softness to strong forms.



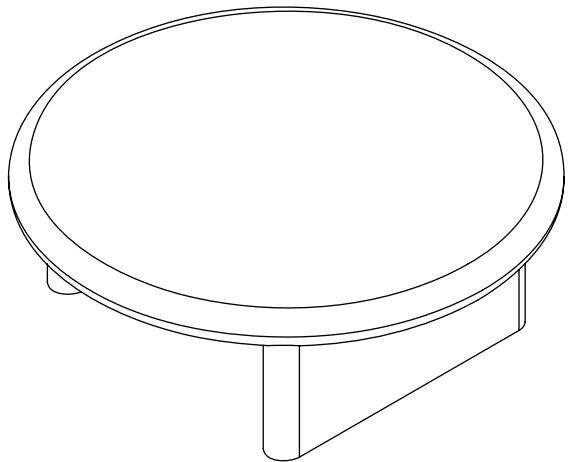
a. Offset legs give the illusion of movement.



b. Matching thickness from top to leg strengthens form.

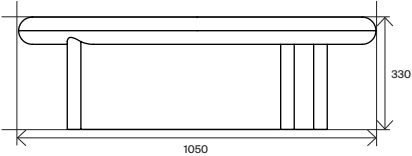
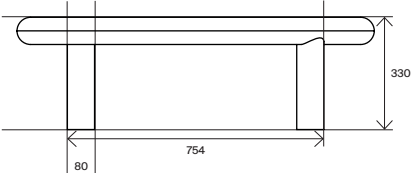


c. Curves meet curves for elegant detail.



Material	American Oak
Finish	Natural Matte Lacquer
Dimensions [mm]	Standard
Length	1050
Width	1050
Height	330

Objects & Spaces



Contact
(+64) 21 02488592
studio@tedsynnott.com

