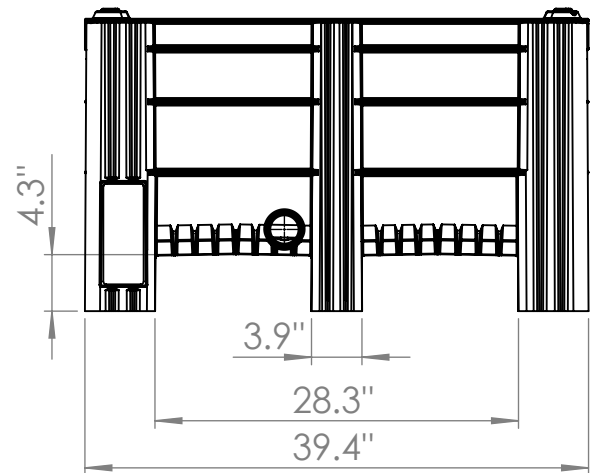
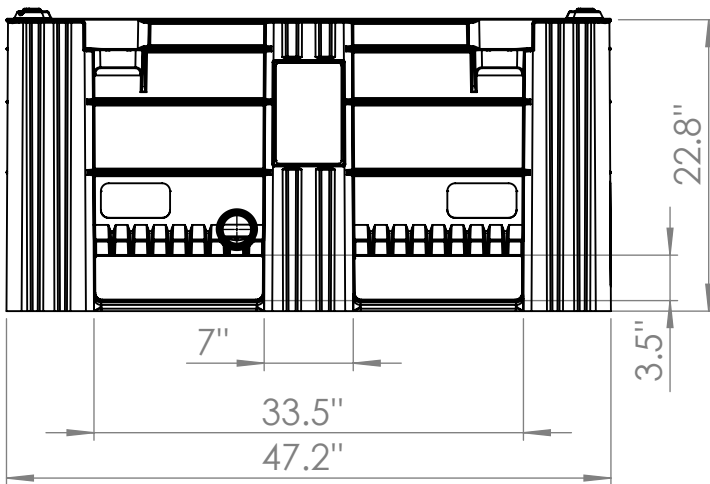
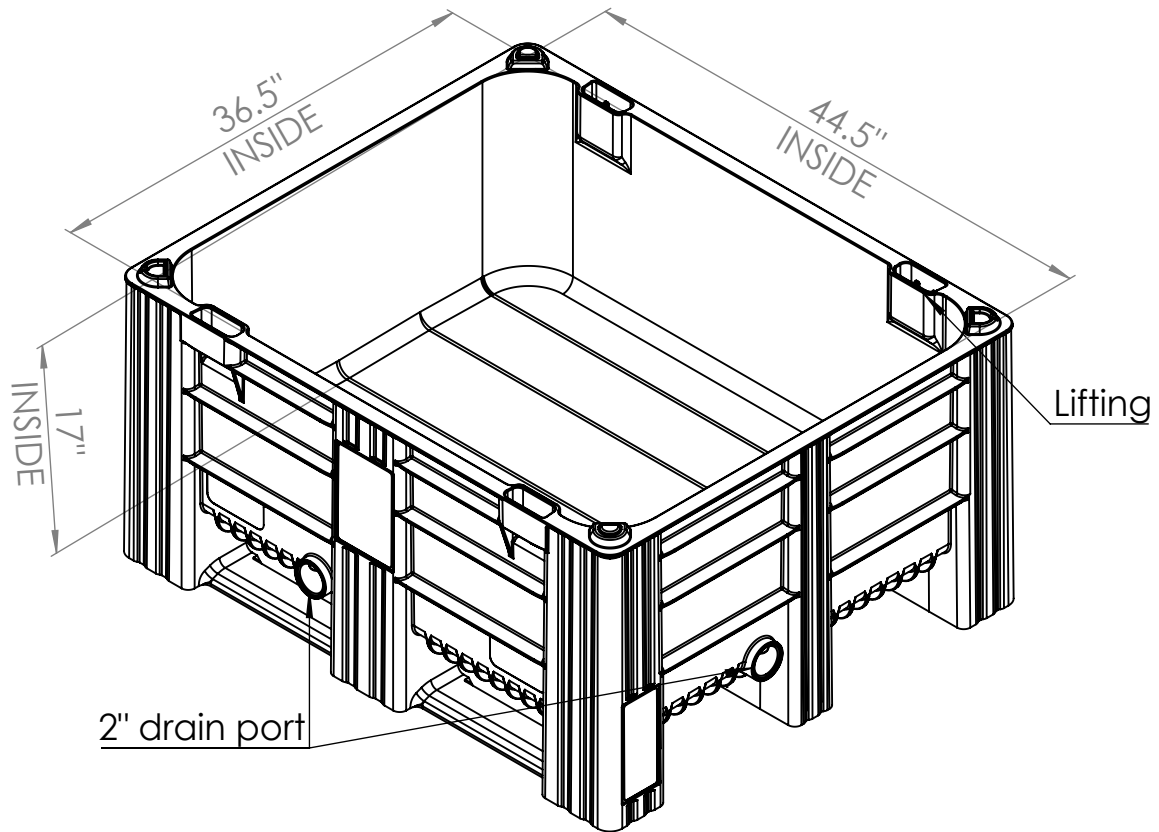


Volume - 16 Cubic Foot
119 Gallons



Dimension in inch

Product Name: ACE 580 solid, Rib 15+30 with drain ports

Catalog/Model #: 2600400160

Weight: 75 Pounds



DOLAV PLASTIC PRODUCTS COOPERATIVE SOCIETY LTD

Kibbutz Dvir, M.P. Hanegev 8533000, Israel ☎ 972 72 2450700

☎ 972 8 9918710 ✉ dolav@dolav.com 🌐 www.dolav.com