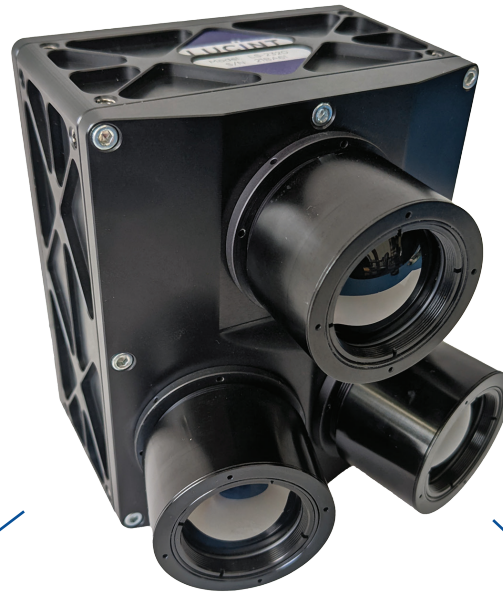


The industry-leading thermal Lucint View-T camera provides from one up to three internal radiometric long-wave infrared (LWIR) camera cores in a single camera. In-camera geospatial image processing with Lucint Fuse, precise timestamps with metadata, and synchronized image exposures create a compact and cost-effective all-in-one imaging solution.

Built-in radiometric thermal long-wave sensor in multiple lens focal lengths and multi-swath configurations (triple swath shown)



Up to 1 TB built-in SSD, RTK GNSS receiver, Ethernet or WiFi for control and image offloading.

Complete software for automated image capture, internal NVIDIA GPU supports Lucint Fuse processing system.

Weather-sealed machined aluminum case endures exterior mounting.

LUCINT VIEW-T

Thermal Photogrammetry

Thermal cores with synchronized simultaneous exposures simplifies image processing.

Multi-swath options increase mapping efficiency.

On-board image processing with Lucint Fuse enables real-time georeferencing, GeoTiff creation, and multi-camera band alignment.

Automated Acquisition

Auto-trigger options include set frame rate, percent overlap, or external trigger.

Auto-target by AOI using built-in GNSS captures metadata and precise GNSS timestamp with each frame.

Rugged and Reliable

Industrial components with extended operating temperature range.

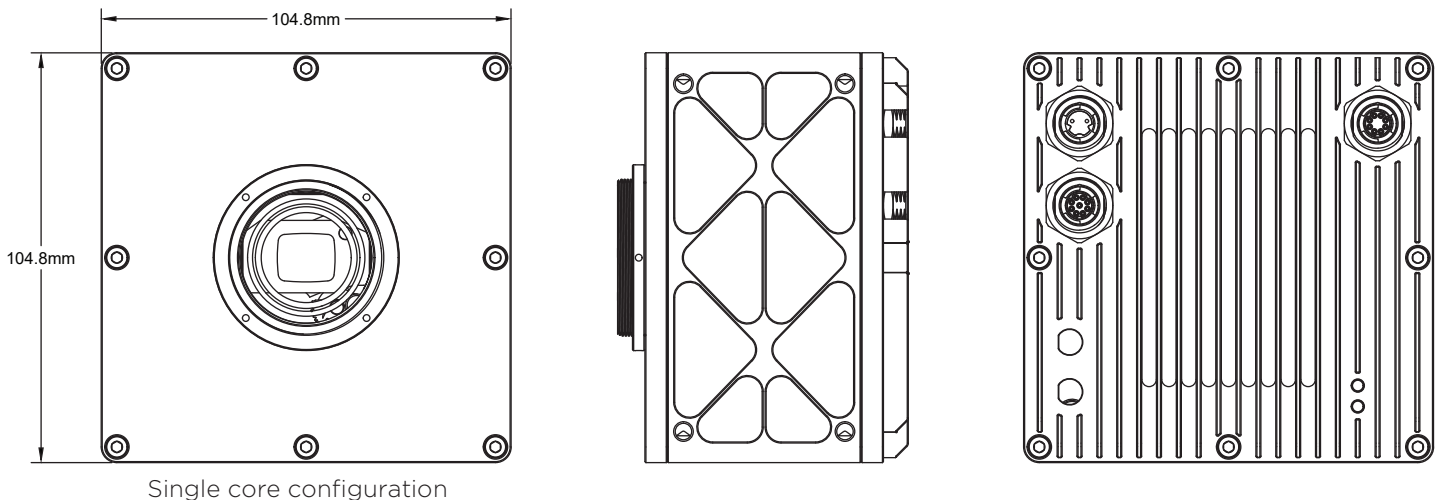
Fully-sealed weather proof housing, lenses and connectors for harsh environments.

LUCINT VIEW-T SPECIFICATIONS

Spectral Bands	Thermal: 640x480 LWIR Radiometric One, Two, or Three Thermal Core Option	Timestamp Accuracy	<1 us (GNSS, External Time)
Image Format	RAW, GeoTIFF, JPEG	Internal Processing	ARM CPU + NVIDIA GPU
Focus Modes	Manual	Trigger Inputs	External TTL, Software
Exposure Modes	High/Low Gain	Trigger Options	Edge, Debounce
Resolution	1-3 x 640x480, 17 micron pixel size	Trigger Timing	Fixed Interval, % Overlap
Frame Rate	30 FPS	Supply Voltage	24VDC (14VDC - 30VDC)
Lens Mount	N/A - Built In	Power Consumption	15W idle / 22W nominal
Imagery Offload	Gigabit Ethernet, WiFi	Dimensions	Single core configuration: 10.48 cm x 10.48 cm x 6.73 cm (4.125 in x 4.125 in x 2.65 in)
Internal Storage	mSATA SSD, up to 1TB	Weight	694 grams (24.5oz) (varies by lens configuration)
Image Metadata	Internal GNSS, External NMEA/IMU	Environmental	-30C to 70C (-22F to 158F)
Calibration	Radiometric, Optical Corrections		

Contact Lucint Systems for lightweight, non-sealed enclosure options or for board-level applications.

LUCINT VIEW-T MECHANICAL



Lucint Systems designs and builds rugged, reliable, fully-automated photogrammetric cameras for manned aircraft, UAVs, and ground platforms. From single camera installations to multispectral, multi-camera payloads, we design systems for easy integration and rapid deployment.