

Met.

STILA
DATA SHEET

Met.

STILA

SPECIFICATIONS

HOUSING : LM 6 die cast and extruded aluminium.

LIGHT SOURCE : The fitting is designed to operate a GU10 lamp or a 12W LED.

REFLECTOR : For LED Cob - Vacuum metalised medium reflector.

Beam angle 40°.

DIFFUSER : Tempered glass.

FINISH : Powder coated.

MOUNTING : Adjustable trunion arm.

ACCESSORIES : Spike mounting.

POWER SUPPLY : Designed to operate a direct to mains 220 – 240 volts AC 50 Hertz single phase or the electronic supply is suitable for operation with 220 – 240 volts - 50 hertz single phase.

FASTENERS : All external screws are stainless steel.

GASKET : EPDM and insertion rubber.

INGRESS PROTECTION : IP65.

MECHANICS : Operating Temperature (T_a) ≤ 35° C.

Weight : 0.36 Kg.

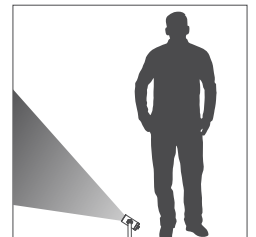
Windage : Max. projected areas for mounting 0.081 m².

NOTE : Maximum lamp length is 60mm high.



APPLICATION AREAS

Indoor or outdoor application.
Symmetrical distribution.
Landscape lighting.
Pathway lighting.
Wall washing.



Available in:

Desert Green
Desert Beige

Met.

STILA

LIGHT SOURCE

LED COB 9mm

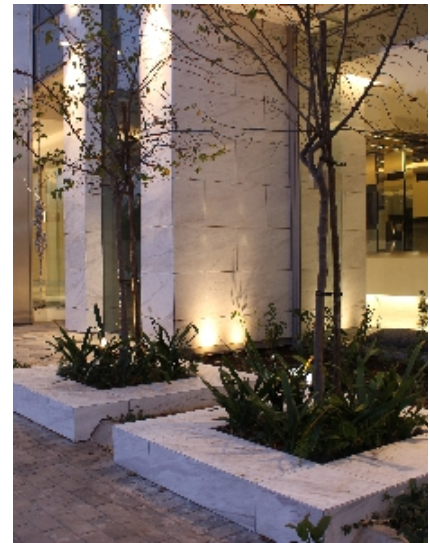
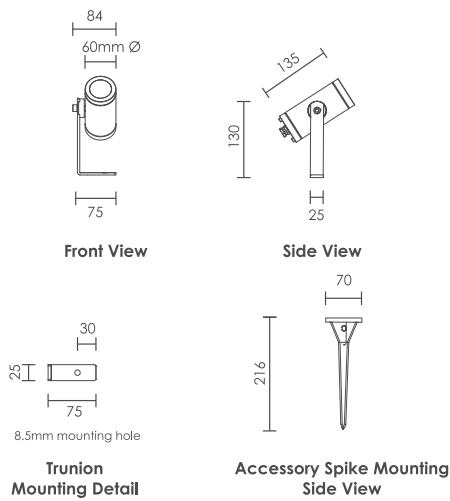
LED CURRENT (mA)	SYSTEM WATTAGE (W)	NOMINAL WATTAGE (W)	COLOUR TEMP (K)	NOMINAL FLUX (lm)
350mA	13W	12W	4000K	1830 lm
			3000K	1770 lm

LED

LAMP	WATTAGE	BASE
LED	Wattage as per lamp manufacturer for enclosed application (Maximum 60mm length)	GU10

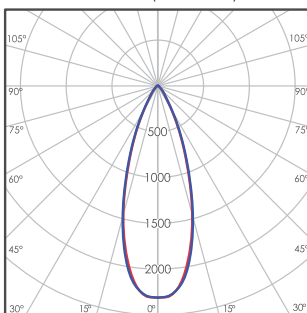


DIMENSIONS IN MM



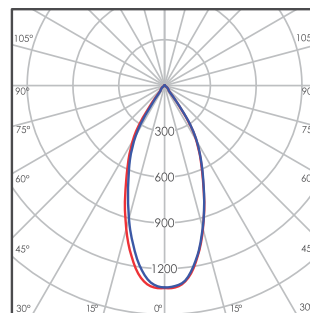
LIGHT DISTRIBUTION

LED 4W 35° Beam (Verbatim)



cd/klm
 — C0 - C180 — C90 - C270

LED 13W 40° Beam



cd/klm
 — C0 - C180 — C90 - C270

