

**NEW**

## AREALO LED Large-Area Spotlight Series 7850...



### Applications:

Sports facilities and large areas such as car parks, stockyards, Loading station, container terminals, large opencast mining equipment, port facilities, airport apron lighting, etc.

### Design 7850 SP:

**Housing:** 1 - 3 Segments of die-cast aluminium, powder coated in DB702N (mica-iron paint, grey), with LED modules, optics and cover glass.

Rear-mounted ECG-housing made of aluminium, powder coated in DB702N. **Segment holder and swivel bracket** made of galvanized steel.

**Glass:** Flat safety glass pane, resistant to temperature changes, impact resistant IK09, silicone gasket.

**Light distribution:** Extremely asymmetric beam.

**Connection:** Plug-type connector (FastConnect), plug mounted to the housing, socket included. Wired ready for connection.

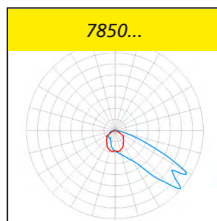
**Mounting:** Mounting bracket, swivel range 90°, adjustable in steps of 5°, with 3 drillings for direct wall mounting or pole mounting in connection with a pole mounting bracket respectively.

### Electrical design:

**LED module:** Zhaga compliant, 4,000K,  $R_3 > 70$ , lifetime  $L_{90} > 100,000$ h

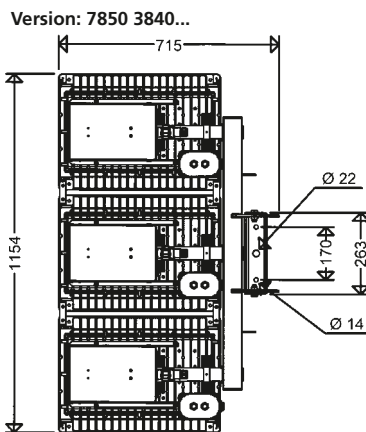
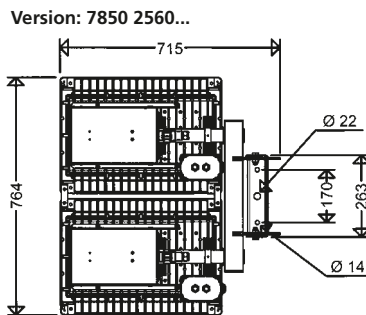
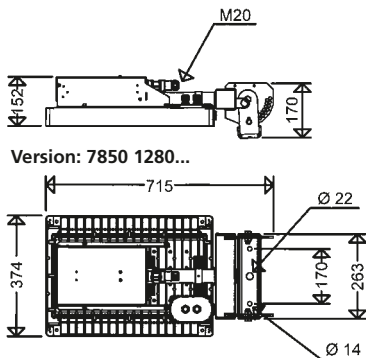
**ECG:** 220-240V, 50-60Hz, overload and short circuit protection.

**Note:** Due to the inrush current of the electronic ballasts, the maximum permissible number of light fittings per circuit breaker is limited.



### Further Options:

- 3,000 K, light colour 730 (8% lower luminous flux)
- 1,800K, light colour 518 „Amber“ (38% lower luminous flux)
- asymmetric light distributions
- special painting in all RAL colours



### Product highlights:

- robust, modular design
- excellent thermal management due to segment-surrounding cooling fin structure, excellent heat dissipation, with additional cooling by convection
- precise light control with highly efficient optics
- uniform illumination through Multi-Layer-Technology, this means each individual LED illuminates the entire area, the LCDs of the individual LEDs are overlapping
- Luminaire can be rotated using a mounting bracket and swiveled by up to 90° in 5° increments, segments can also be tilted to achieve optimal lighting results
- simple, quick mounting:  
Fasten the mounting bracket with the segment holder, attach and fix the segments individually, establish the electrical connection using the FastConnect connector
- quick ECG exchange with OV version, no supervisor required
- eco friendly with 0° mounting (Plane Surface Floodlight) no light emission in the upper half space, Dark-Sky requirements are fulfilled
- future proof by using standardized LED-modules (Zhaga)

Article no.	Type	Number of segments	Quantity of ECG	Power consumption [W]*	Luminous flux [lm] *	Luminous efficacy [lm/W]	Energy efficiency class	Weight [ca. kg] (without packaging)	Wind load area [m²]
78501 0001	<b>7850 12804SP</b>	1	2	414	50.000	121	A++	18,3	0,16
78502 0001	<b>7850 25604SP</b>	2	4	828	100.000	121	A++	34,0	0,32
78503 0001	<b>7850 38404SP</b>	3	6	1.242	150.000	121	A++	50,0	0,48

### 7850... SP

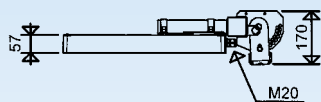


\* see notes

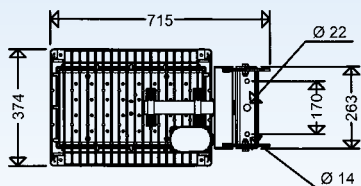
Properties, limitations and details for controlling LED-light fittings:

See "Technical Supplement"

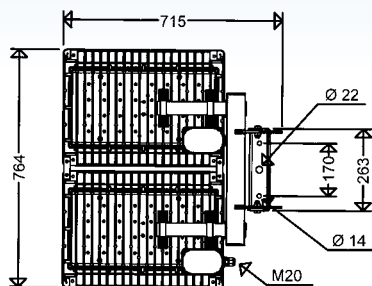
All technical data is relevant at the time of print. Actual technical data can be found in the internet under [www.schuch.de](http://www.schuch.de).



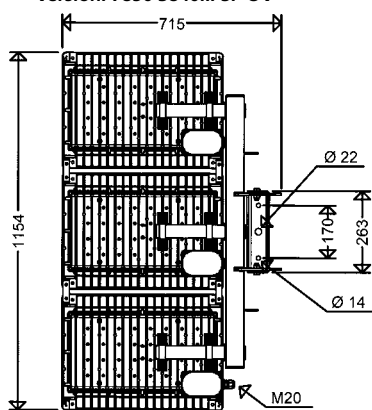
Version: 7850 1280... SP OV



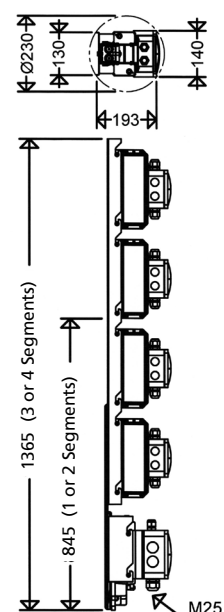
Version: 7850 2560... SP OV



Version: 7850 3840... SP OV



Mast mounting rail



Article no.	Type	Number of segments	Quantity of ECGs required	Power consumption [W]*	Luminous flux [lm] *	Luminous efficacy [lm/W]	Energy efficiency class	Weight [ca. kg] (without packaging)	Wind load area [m²]
-------------	------	--------------------	---------------------------	------------------------	----------------------	--------------------------	-------------------------	-------------------------------------	---------------------

## 7850... SP OV



### Version:

Like 7850 ... but without ECG housing (OV), mast mounting rail required (see below), please order separately.

Connection: Via external junction box on the housing segment.

Cable entry: 1 cable entry M20 x 1,5, per housing segment; cable gland(s) included in the delivery.

78501 0100	<b>7850 12804SP OV</b>	1	2	414	50.000	121	A++	14,3	0,16
78502 0100	<b>7850 25604SP OV</b>	2	4	828	100.000	121	A++	26,0	0,32
78503 0100	<b>7850 38404SP OV</b>	3	6	1.242	150.000	121	A++	38,0	0,48

\* see notes \*\* 44% luminous flux at 50% power consumption

## Mast mounting rail 7850/1 ME 10150

### Design:

Component plate with electronic ballast and cable junction box, wired ready for connection.

For connecting the housing segments to the pole installation rail, one 5-core cable is required for each housing segment.

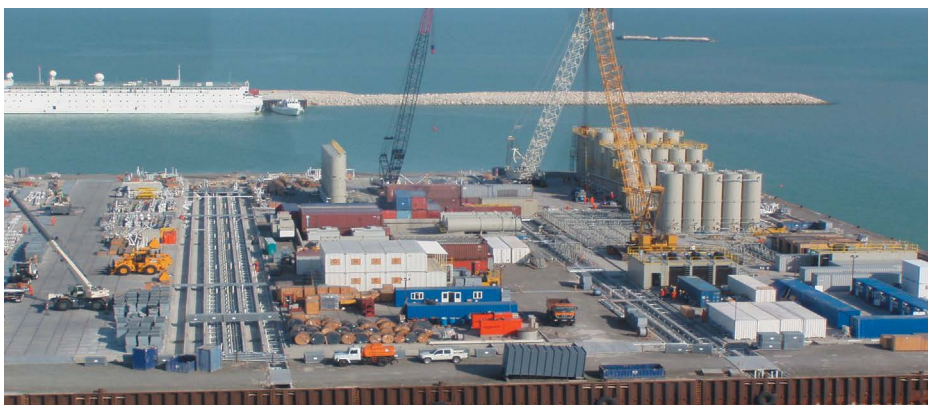
### Connection:

On the secondary side via FastConnect quick-connector, connector included in delivery.

### Fastening:

Tool-free with hanging profile (included in delivery).

Article no.	Type	Weight [kg] (without packaging)
78509 0001	<b>7850/1 ME 1050</b>	Mast mounting rail for 7850 12804SP OV
78509 0002	<b>7850/2 ME 1050</b>	Mast mounting rail for 7850 25604SP OV
78509 0003	<b>7850/3 ME 1050</b>	Mast mounting rail for 7850 38404SP OV
78509 0004	<b>7850/4 ME 1050</b>	Mast mounting rail for 2 x 7850 25604SP OV mounted on a mast



## Accessories / Spare Parts

Article no.	Type	
78510 9000	<b>7850/010</b>	spare safety glas
90120 9011	<b>2530</b>	plastic cable gland M20 x 1,5 black
90121 9008	<b>2600</b>	plastic plug M20 x 1,5 black