



FOCO XL Plane Surface Floodlight Series 7800...

Applications:

Industrial areas, large equipment for open-cast mining, stockyards, installation areas, object protection and fence lighting, construction zone, illumination of building and facades etc.

Design:

Housing: Die-cast aluminium, 2-parts, powder coated DB702N (mica-iron paint, grey).

Upper part: With LED- and optics-modules

Lower part: With electronic ballast, glass cover, cable entry with cable relief, retractable.

Glass: Flat safety glass pane, resistant to temperature changes, impact resistant IK09, silicone gasket.

Light distribution: Narrow-wide (TB) or narrow beam (T).

Connection: 3-pole terminal, max. clamping range 2,5 mm².

Cable entry: 2 cable entries M25 x 1.5 (1 cable gland and 1 screw plug).

Mounting: Mounting bracket, swivel range 180°, with 3 drillings for wall- or ceiling mounting respectively for direct pole mounting in addition with pipe clamps **ROB 60/76** (see accessories).

Electrical design:

LED module: Zhaga compliant, 4,000K, $R_a > 70$, lifetime $L_{90} > 100,000h$

ECG: 220-240V, 50-60Hz, Surge voltage resistance 10kV, overload and short circuit protection.

Note: Due to the inrush current of the electronic ballasts, the maximum permissible number of light fittings per circuit breaker is limited.

Options:

On request also available with the following configurations (please mention in your enquiry or order):

Output reduction:

With control phase (LR): For reducing the luminous flux to 50% at times of low traffic density. Control phase (LST) required. Switching via control phase (LST = 230V: 100%; LST = 0V: 50%). Alternative dimming levels possible.

Without control phase (LA): Autonomic dimming by integrated timer. Reduced operation 50% between 22:00 and 4:00h CET or 23.00 and 5.00h CEST, also available with deviating times and with alternative dimming step.

DALI interface (DIMD)

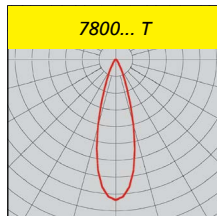
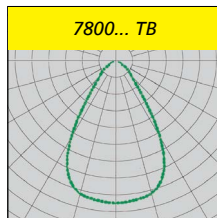
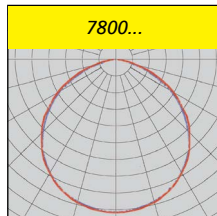
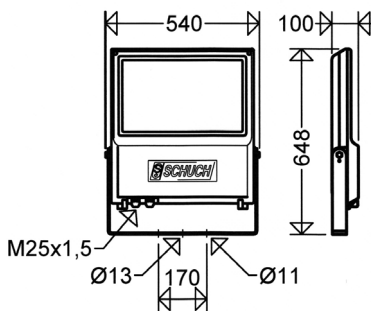
1-10V (DIMA)

Constant luminous flux function (CL): Luminous flux is kept on a constant level over the entire lifetime of the LED-modules.

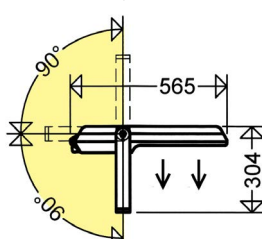
Also, combinations of the functions are possible (CL LR / CL LA).

Further Options:

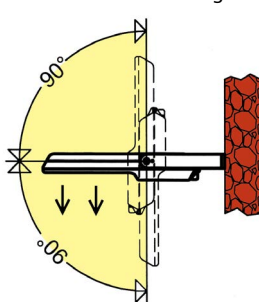
- 3,000K, light colour **730** (ca. 8% lower luminous flux)
- 1,800K, light colour **518** „Amber“ (ca. 38% lower luminous flux)
- extremely narrow beam (TX)
- extremely asymmetric beam (AX)
- high protection (HR) against corrosive atmospheres or harmful gases
- seawater-resistant version (SWP)
- for connection to group or central battery systems (ZB)
- special painting in all RAL colours
- expanded Swivel range



Swivel range



Standard Mounting



Product highlights:

- ECG with surge voltage resistance, reliable due to overload and short circuit protection
- optimized thermal management due to direct adaption of the LED-modules to the die-cast aluminium housing, large cooling surface, excellent heat dissipation
- optimal light distribution due to highly efficient optics
- homogeneous illumination due to the **Multi-Layer-Technology** i.e. every individual LED illuminates the whole surface, the light curves of the individual LEDs are overlapping.
- comfortable maintenance due to removable lower part of the housing, large opening allows easy access to the terminal box and the electrical components, ECG replaceable on-site
- future proof by using standardized LED-modules (Zhaga)

Notes:

Properties, limitations and details for controlling LED-light fittings: See „Technical Supplement“.

All technical data is relevant at the time of print. Actual technical data can be found in the internet under www.schuch.de.

Article no.	Type	narrow-wide beam	narrow-beam	Energy efficiency class	Weight [ca. kg] (without packaging)	Power / consumption W *	Luminous flux [lm] *	Luminous efficacy [lm/W]
-------------	------	------------------	-------------	-------------------------	-------------------------------------	-------------------------	----------------------	--------------------------

7800 ...

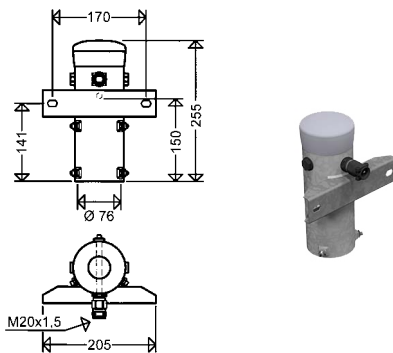


78000 0011	7800 6403			A++	15,9	140	19.900	142
78000 0001	7800 6403TB	•		A++	15,9			
78000 0041	7800 6403T		•	A++	15,9			
78000 0012	7800 12803			A++	17,0	280	38.300	137
78000 0002	7800 12803TB	•		A++	17,0			
78000 0042	7800 12803T		•	A++	17,0			

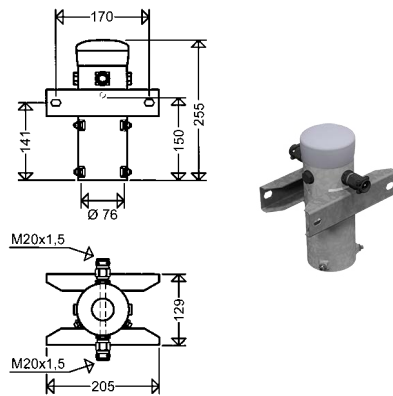
* see notes

Also available with output reduction (LR) and constant luminous flux function (CL) or combinations of the functions (CL LR / CL LA)

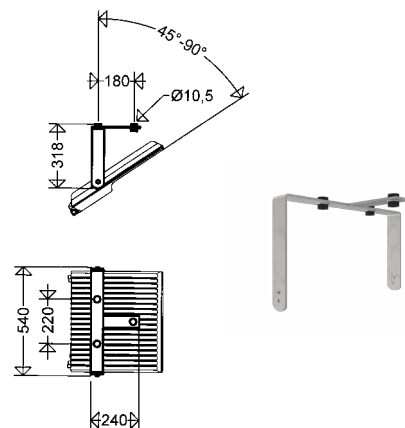
Pole top for single mounting 7700/7800/1 M



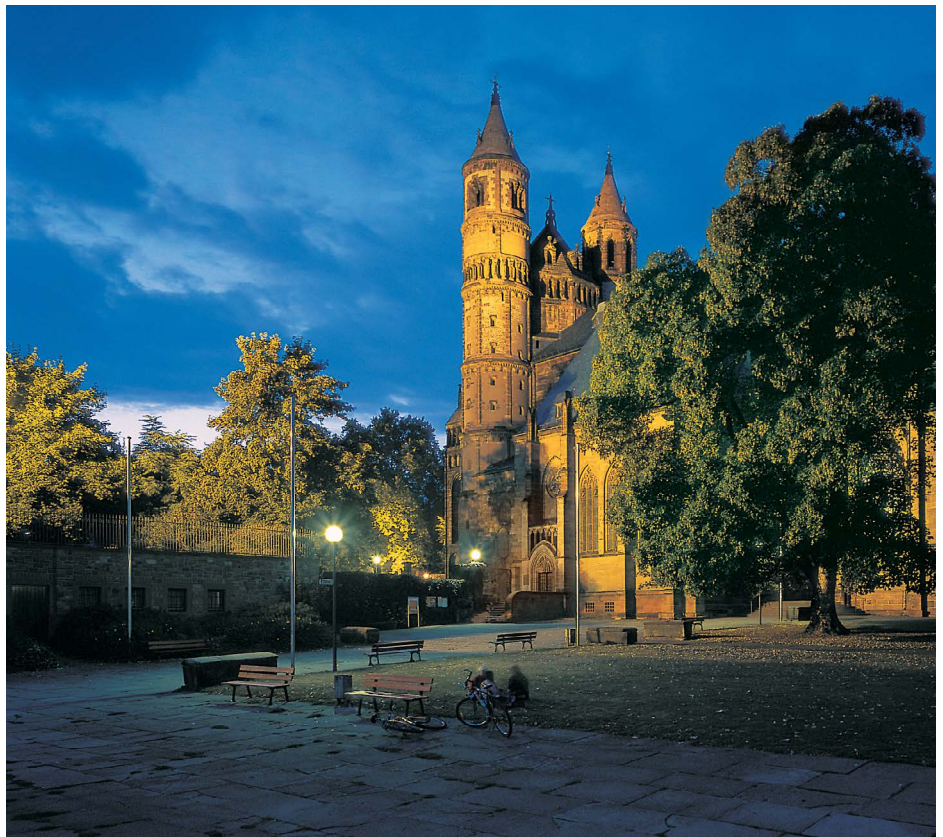
Pole top for dual mounting 7700/7800/2 M



vibration absorbing suspension device SD 7800 ST



All pole top brackets made of galvanised steel. Painting in any RAL colour for additional charge.



Accessories / Spare Parts

Article no.	Type	
78001 9001	7800/010	spare safety glas
75739 9010	7700/7800/1 M	pole top for single mounting
75739 9011	7700/7800/2 M	pole top for dual mounting
90270 0005	ROB 60/76	pipe clamp for direct pole mounting or on multiple post top adapters
90117 9000	2537	plastic cable gland M25 x 1,5 black
90118 9000	2538	plastic plug M25 x 1,5 black
75350 0033	SD 7800 ST	vibration absorbing suspension device for series 7800, galvanised steel