

ExeLed 1 N

LED-Emergency Light Fitting for Ex-Zone 1/21

Series e864...

Applications:

Hazardous locations of Zones 1/2 (gas) and 21/22 (dust), for illuminating escape routes.

Design:

Housing: Glass fibre reinforced polyester resin. Version H with separate battery box at one small side of the housing.

Cover: Injected polycarbonate, frosted (F) or clear, silicone gasket.

Closure: Stainless steel clips (KE), two of them as safety clip (KES), to be opened with screwdriver only.

Reflector: Sheet Steel, painted, carrying the encapsulated LED-modules, clipped into the cover, suspendable.

Connection: 4 poles up to 4mm².

Cable entries: 2 entries M25 x 1,5 at one small side of the housing, (2 glands - one of them is plugged)

Standard: Facing downwards or forwards.

Mechanical installation:

Mounting accessories see spare parts/ accessories. Sealing gaskets for direct ceiling mounting are included.

Technical Data:

LED: Line modules ca. 6,500K, CRI > 80, Lifetime $L_{70B_{10}} > 100.000h$, $L_{80B_{50}} > 100.000h$ at max. ambient temperature (see notes)

ECG with an integrated emergency control unit

Incorporated NiCd battery, electronic charger, short circuit protected battery and reverse battery protection

Electronic deep discharge protection: acc. to EN 61347-2-7

Re-charging time: 24h, acc. to EN 60598-2-22

Automatic monitoring: of the emergency light fitting according to EN 62034, indication of the test results by 2-coloured LED (luminescence diode) at the luminaire

Mode of operation:

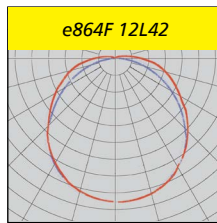
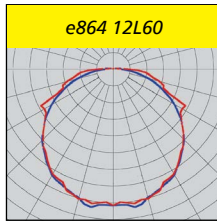
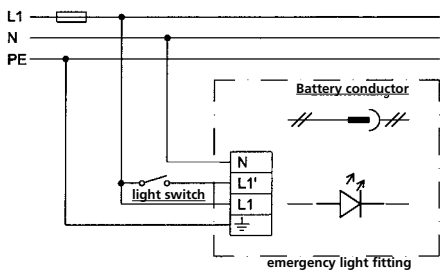
maintained operation = switching over to battery operation in case of mains failure, line modules will be operated with reduced luminous flux as emergency lighting.

stand-by operation = switching on in case of mains failure.

Options:

– 4,500K, light colour 845
– Emergency lighting unit with DALI-interface for dimming and

central monitoring (DIMDI)
– inhibiting facility
– with through wiring system



Starting:

Connect battery conductor.

Out-of-operation: separate battery conductor.

Stand-by operation: Do not connect L1'.

Product highlights:

- safety in case of an emergency, instant light with maximum light output
- operation in maintained, switched maintained or stand-by mode possible
- multifunctional LED with coded indication of the functions, states and potential faults of the electronic device and the battery
- automatic weekly function test
- automatic annual duration test
- manual actuation of duration test is possible
- easy battery replacement due to connector
- innovative encapsulation with high transmission rate
- LED-Modules protected from mechanical or electrostatic damages by sandwich design of reflector and cover
- homogeneous illumination by using frosted diffusers (versions e864F..) no individual light points visible, comfortable perception of light, brilliant glare limitation
- high colour rendering index CRI > 80, according to the workplace guide lines suitable for nearly all plant locations
- **FastFix mounting**, system for variable mounting distances and easy installation (retaining clips HK865 P) without opening the fitting
- ECG and reflector with LED-modules **replacable by qualified personnel on-site**

Notes:

Properties, limitations and details for controlling LED-light fittings: See „Technical Supplement“.

All technical data is relevant at the time of print.

Actual technical data can be found in the internet under www.schuch.de.

Article no.	Type	Power consumption [W] *	Luminous flux [lm] *	Luminous flux [lm] * (emergency)	Luminous efficacy [lm/W] **	Cover frosted	Cover clear	1h operation time	3h operation time	Ta max [°C]	Energy efficiency class	Substitute for **	Weight [kg] (without packingmaterial)
-------------	------	-------------------------	----------------------	----------------------------------	-----------------------------	---------------	-------------	-------------------	-------------------	-------------	-------------------------	-------------------	---------------------------------------

Note:
This light fitting is not suitable for applications in areas with permanent high humidity in combination with only short periods of operation, such as sewage or stormwater retention tanks or water treatment plants.

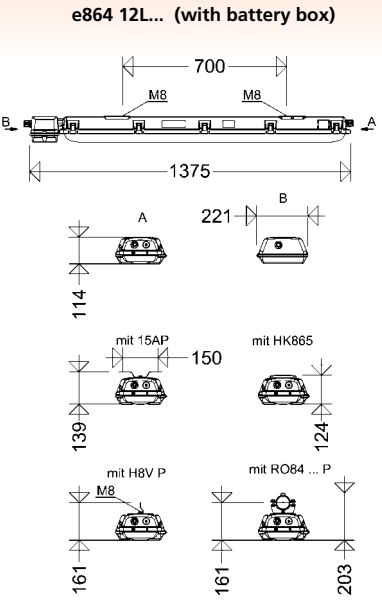
e864... **II 2 G Ex db eb [ib] mb op is q IIC T4 Gb** **II 2 D Ex op is tb IIIC T80°C Db** **IP66**

EC-Type Examination Certificate:
IBExU 17 ATEX 1026
Other approvals:
IECEX IBE 17.0016
Ignition protection: ec
Marking:
II 2 G Ex db eb [ib] mb op is q IIC T4 Gb (Zone 1)

II 2 D Ex op is tb IIIC T80°C Db (Zone 21)
Rated voltage: 220-240V AC, 50-60Hz.
Permissible ambient temperature:
-30°C up to +55°C
Nominal range acc. to EN 60598-2-22 0°C up to 45°C, reduced emergency light duration if operated below 0°C.

86400 0001	e864F 12L42/1/1,6	29	4.360	750	150	•	•	•	55	A++	2 x 36W	7,6
86400 0002	e864F 12L60/1/1,6	41	6.020	750	147	•	•	•	55	A++	2 x 58W	7,6
86400 0101	e864F 12L42/3/4	29	4.360	750	150	•	•	•	55	A++	2 x 36W	8,0
86400 0102	e864F 12L60/3/4	41	6.020	750	147	•	•	•	55	A++	2 x 58W	8,0
86400 0011	e864 12L42/1/1,6	29	4.590	800	158	•	•	•	55	A++	2 x 36W	7,6
86400 0012	e864 12L60/1/1,6	41	6.320	800	155	•	•	•	55	A++	2 x 58W	7,6
86400 0111	e864 12L42/3/4	29	4.590	800	158	•	•	•	55	A++	2 x 36W	8,0
86400 0112	e864 12L60/3/4	41	6.320	800	155	•	•	•	55	A++	2 x 58W	8,0

* see notes
** The given information is for rough orientation only. In each individual case a lighting calculation is necessary.



Explosion protected Light Fittings

Accessories / Spare Parts

Article No.	Type	
Spare batteries		
90222 9021	AKKU 2627 4,0Ah	Spare battery 4.0Ah
90222 9023	AKKU 8020 1,6Ah	Spare battery 1.6Ah
Spare covers		
86601 9001	8654F	PC, frosted for 12L..
86601 9000	8654	PC, clear for 12L..
Glands/breather		
90117 9006	2537 G	ex-protected plastic cable gland M25 x 1,5 with nut
90118 9006	2538 G	ex-protected plastic plug M25 x 1,5 with nut
90259 9000	Klimastutzen EX	M25 x 1,5
Mounting material		
86501 9003	HK 865 P	2 retaining clips for variable mounting distances
90001 0002	H8V P	2 suspensions brackets, stainless steel
90000 0002	15A P	2 ceiling brackets, hot galvanized steel
90032 0002	15AV P	2 ceiling brackets, stainless steel
90037 0004	RO84 112 A P	2 pipe clamps 1 1/2", stainless steel, with support
90038 0004	RO84 2 A P	2 pipe clamps 2", stainless steel, with support
26000 0004	W26 P	2 wall mounting angles
26000 0002	W26/30 P	2 wall mounting angles 30°
26000 0003	W26/45 P	2 wall mounting angles 45°