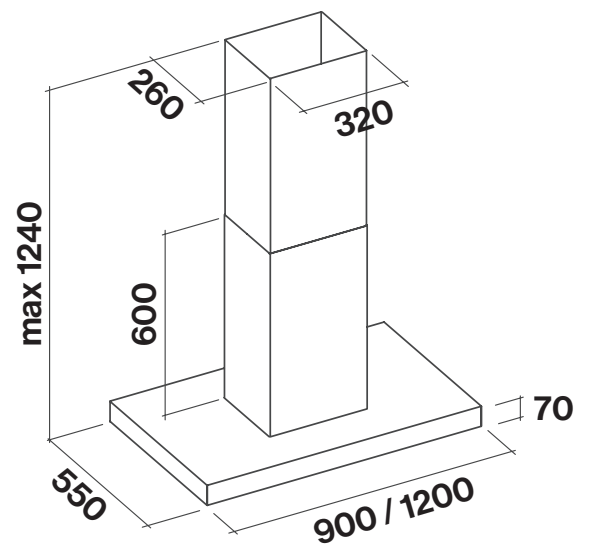




Product Features

Motor Type	On Board Motor
Dimensions	900(W) x 1240(H) x 550(D)mm Suits 75cm-100cm Cooking Surfaces
Filtration Type	Metallic Mesh Filters
Controls	Soft Touch Controls
Lighting	2x LED
Speed Settings	3 Speed + Boost
Timer Function	15 Min Auto Shut-Off
Ducting	150mm Circular Outlet
Optional Accessories	700mm Wall Flue Extension 1200mm Island Flue Extension
Remote Control	Optional
Grease Filter Alarm	Yes
Dishwasher Safe Filters	Yes
Charcoal Filter	Yes

Dimensioned Drawings



Model Code	Size	Motor Output	Finish
F7PB90B1 •	90cm	800m ³ /hr	Matte Black

Special Order •

PLANE BLACK

Version

Island 90 cm - Black - 800
m³/h

Collection

Design

EAN code

8034122359885

MOTOR TECHNICAL SHEET

Motor speed	1	2	3	4
Noise level dB(A) _{re1pW-I.E.C.60704-2-13}	49	56	62	68
Capacity (m ³ /h) I.E.C.61591	280	370	480	680
Maximum pressure (Pa)	390	420	480	500
Motor Power (W)	132	153	175	215
Air outlet	150	150	150	150

CAPACITY / PRESSURE

