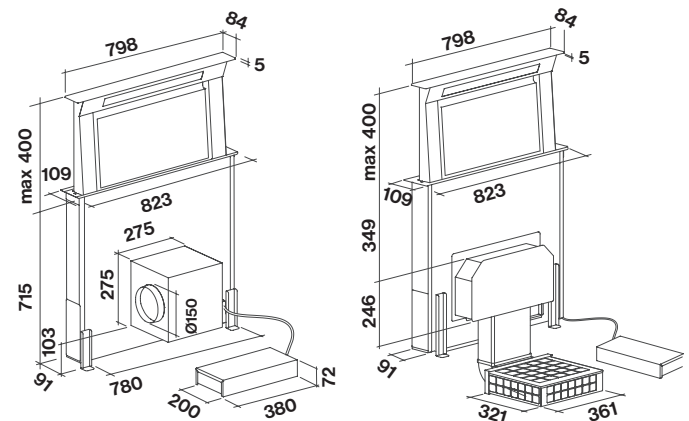




Product Features

Motor Type	Off Board
Dimensions	798(W) x 400(H) x 84(D)mm Suits 50cm-90cm Cooking Surfaces
Benchtop Cut-Out	810 x 98mm
Filtration Type	Perimeter Suction
Lighting	LED Strip
Controls	Touch Controls
Speed Settings	3 Speed + Boost
Timer Function	15 Min Auto Shut-Off
Ducting	200mm Circular Outlet + 6m of Flexible Ducting Supplied
Included Accessories with Inline Motor	Wall Vent
Included Accessories with Recirculating Motor	Carbon.Zeo Filter Base Board Vent
Remote Control	Optional
Grease Filter Alarm	Yes
Dishwasher Safe Filters	Yes

Dimensioned Drawings



Model Code	Motor Output	Finish
F8DD90B1-UC600	600 m ³ /hr	Black Glass
F8DD90B1-IN950	950 m ³ /hr	Black Glass
F8DD90B1-EW1000	1000 m ³ /hr	Black Glass
F8DD90B1-IN1300	1300 m ³ /hr	Black Glass
F8DD90S1-UC600 •	600 m ³ /hr	Stainless Steel
F8DD90S1-IN950 •	950 m ³ /hr	Stainless Steel
F8DD90S1-EW1000 •	1000 m ³ /hr	Stainless Steel
F8DD90S1-IN1300 •	1300 m ³ /hr	Stainless Steel

Special Order •