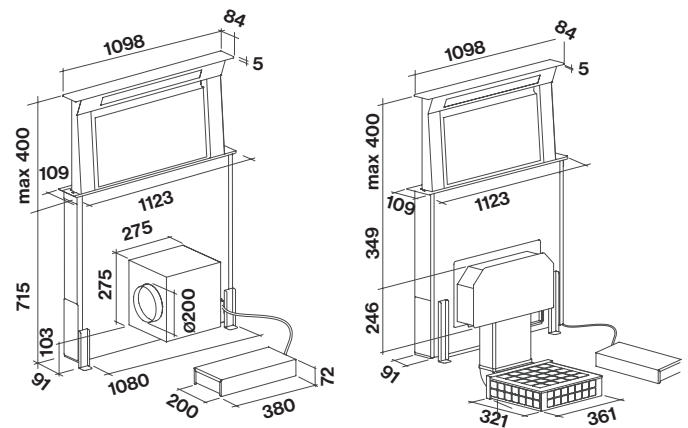




**Product Features**

<b>Motor Type</b>	Off Board
<b>Dimensions</b>	1098(W) x 400(H) x 84(D)mm Suits 75cm-100cm Cooking Surfaces
<b>Benchtop Cut-Out</b>	1110 x 98mm
<b>Filtration Type</b>	Perimeter Suction
<b>Lighting</b>	LED Strip
<b>Controls</b>	Touch Controls
<b>Speed Settings</b>	3 Speed + Boost
<b>Timer Function</b>	15 Min Auto Shut-Off
<b>Ducting</b>	200mm Circular Outlet + 6m of Flexible Ducting Supplied
<b>Included Accessories with Inline Motor</b>	Wall Vent
<b>Included Accessories with Recirculating Motor</b>	Carbon.Zeo Filter Base Board Vent
<b>Remote Control</b>	Optional
<b>Grease Filter Alarm</b>	Yes
<b>Dishwasher Safe Filters</b>	Yes

**Dimensioned Drawings**



Model Code	Motor Output	Finish
F8DD12B1-UC600	600 m <sup>3</sup> /hr	Black Glass
F8DD12B1-IN950	950 m <sup>3</sup> /hr	Black Glass
F8DD12B1-EW1000	1000 m <sup>3</sup> /hr	Black Glass
F8DD12B1-IN1300	1300 m <sup>3</sup> /hr	Black Glass
F8DD12S1-UC600 •	600 m <sup>3</sup> /hr	Stainless Steel
F8DD12S1-IN950 •	950 m <sup>3</sup> /hr	Stainless Steel
F8DD12S1-EW1000 •	1000 m <sup>3</sup> /hr	Stainless Steel
F8DD12S1-IN1300 •	1300 m <sup>3</sup> /hr	Stainless Steel

Special Order •