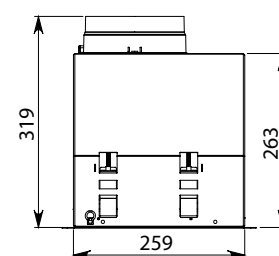
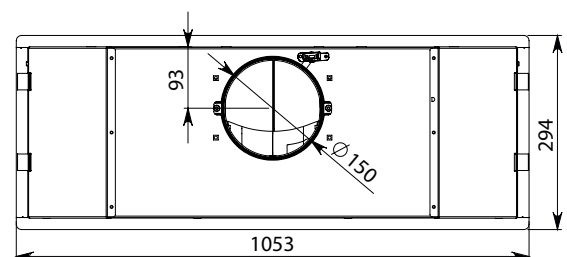
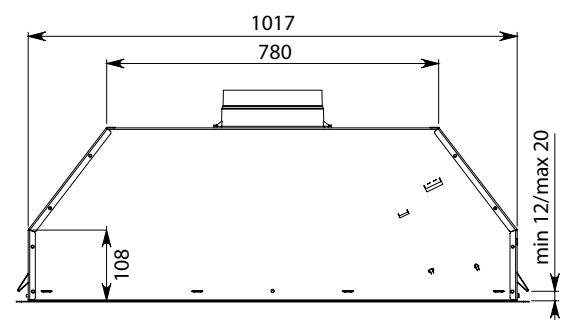




Product Features

Motor Type	On Board Motor
Dimensions	1053(W) x 320(H) x 294(D)mm Suits 75cm-110cm Cooking Surfaces
Cut-Out	1029 x 262mm
Filtration Type	Perimeter Suction
Controls	Soft Touch Control
Lighting	2 x Dynamic LED
Speed Settings	3 Speed + Boost
Timer Function	15 Min Auto Shut-Off
Ducting	150mm Circular Outlet
Remote Control	Optional
Grease Filter Alarm	Yes
Dishwasher Safe Filters	Yes
Charcoal Filter	Yes

Dimensioned Drawings



* Semi-rigid or rigid ducting recommended.

Model Code	Size	Motor Output	Finish
F3GH10S1 •	105cm	800 m ³ /hr	Stainless Steel

Special Order •

GRUPPO INCASSO

Version

Built-in 105 cm - 800 m³/h

Collection

Design

EAN code

8034122353371

MOTOR TECHNICAL SHEET

Motor speed	1	2	3	4
Noise level dB(A) _{re1pW-I.E.C.60704-2-13}	49	55	61	67
Capacity (m ³ /h) I.E.C.61591	270	360	470	670
Maximum pressure (Pa)	390	420	460	500
Motor Power (W)	134	156	180	215
Air outlet	150	150	150	150

CAPACITY / PRESSURE

