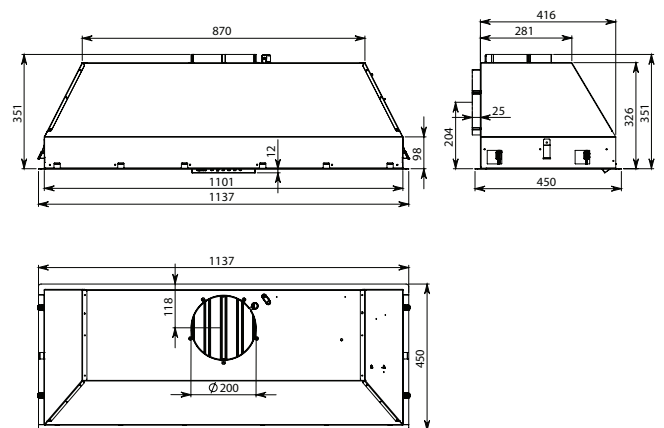




Product Features

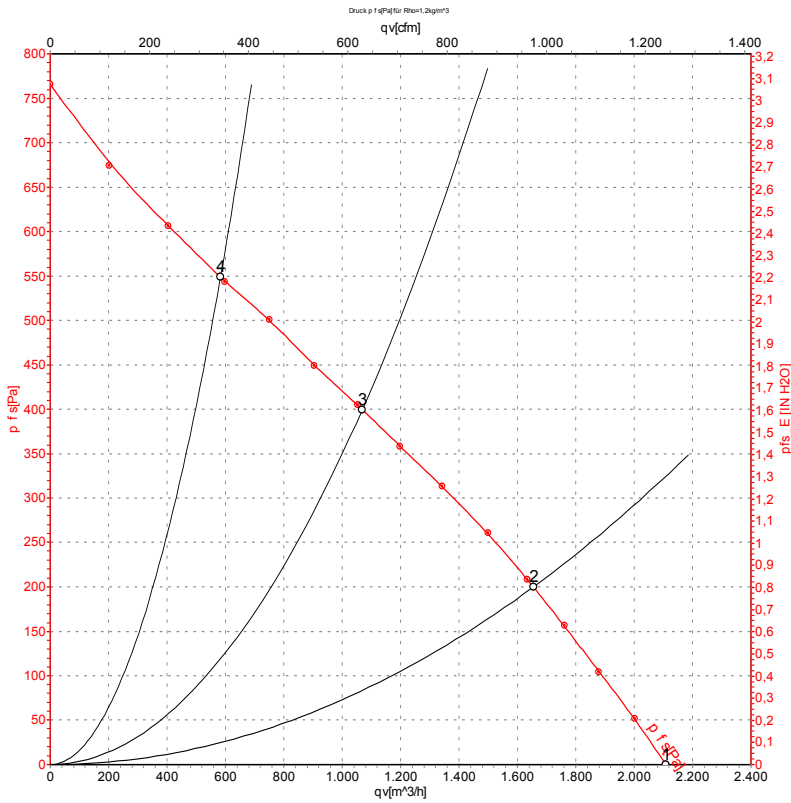
Motor Type	Off Board Motor
Dimensions	1137(W) x 351(H) x 450(D)mm Suits 90cm-130cm Cooking Surfaces
Cut-Out	1110 x 420mm
Filtration Type	3 x Baffle Filters
Lighting Type	Dynamic LED Strip
Finish	304 Stainless Steel
Install	Flush Frame
Controls	Touch Control
Speed Settings	3 Speed + Boost
Timer Function	15 Min Auto Shut-Off
Ducting	200mm Circular Outlet + 6m of Flexible Ducting Supplied
Installation Info	Quick Install Clips and Rear Duct Option
Remote Control	Optional
Grease Filter Alarm	Yes
Dishwasher Safe Filters	Yes

Dimensioned Drawings



Model Code	Motor Output	Installation Option
FP3GV12S2-ER2010	2010m ³ /hr	External Roof Motor
FP3GV12S2-EW2010	2010m ³ /hr	External Wall Motor

Curves: Air performance 50 Hz



Measurement: LU-107236-1

Air performance measured according to ISO 5801 installation category A. For detailed information on the measurement setup, contact ebm-papst. Intake sound level: Sound power level according to ISO 13347 / sound pressure level measured at 1 m distance from fan axis. The values given are valid under the specified measuring conditions and may vary due to conditions of installation. For deviations from the standard configuration, the parameters have to be checked on the installed unit.

Measured values

	U	f	n	P _e	I	q _V	P _{fs}	q _V	P _{fs}
	V	Hz	min ⁻¹	W	A	m ³ /h	Pa	cfm	in. wg
1	230	50	2700	225	1.00	2110	0	1240	0.00
2	230	50	2510	289	1.26	1655	200	975	0.80
3	230	50	2365	324	1.42	1070	400	630	1.61
4	230	50	2490	291	1.27	585	550	345	2.21

U = Voltage · f = Frequency · n = Speed (rpm) · P_e = Power consumption · I = Current draw · q_V = Air flow · P_{fs} = Pressure increase

