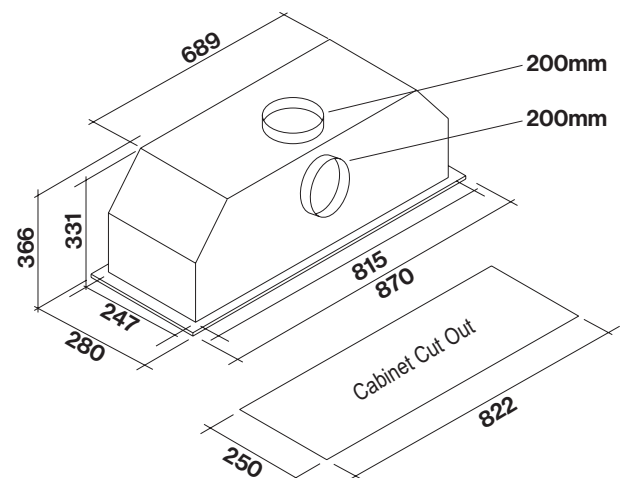




Product Features

<b>Motor Type</b>	Off Board
<b>Dimensions</b>	870(W) x 366(H) x 280(D)mm Suits 75–100cm Cooking Surfaces
<b>Cut-Out</b>	822 x 250mm
<b>Filtration Type</b>	2 x Baffle Filters
<b>Lighting</b>	LED 4 x 1.2W (3200K)
<b>Finish</b>	304 Stainless Steel
<b>Controls</b>	Touch Control
<b>Speed Settings</b>	3 Speed + Boost
<b>Timer Functions</b>	15min Auto Shut-Off
<b>Ducting</b>	200mm Circular Outlet 6 x Metres of Flexible Ducting Supplied
<b>Grease Filter Alarm</b>	Yes
<b>Dishwasher Safe Filters</b>	Yes

Dimensioned Drawings



Model Code	Motor Output	Motor Solution
FC3CO90S1-IR765	765m <sup>3</sup> /hr	In Roof Motor
FC3CO90S1-ER765	765m <sup>3</sup> /hr	External Roof Motor
FC3CO90S1-EW765	765m <sup>3</sup> /hr	External Wall Motor
FC3CO90S1-IR1140	1140m <sup>3</sup> /hr	In Roof Motor
FC3CO90S1-ER1140	1140m <sup>3</sup> /hr	External Roof Motor
FC3CO90S1-EW1140	1140m <sup>3</sup> /hr	External Wall Motor