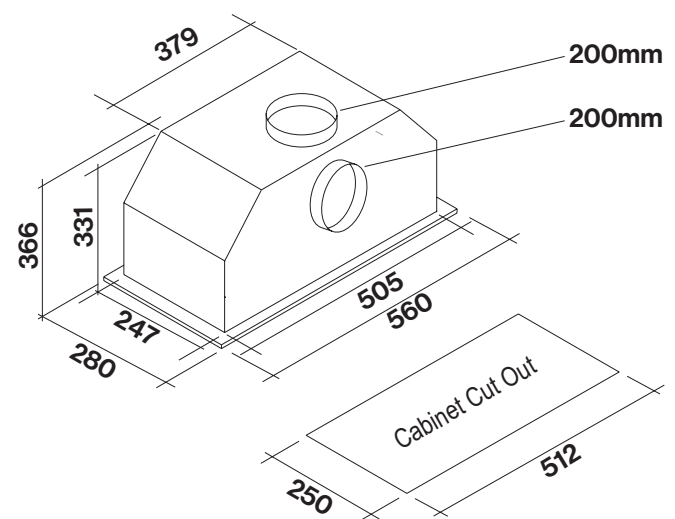




Product Features

| | |
|--------------------------------|---|
| Motor Type | Off Board |
| Dimensions | 560(W) x 366(H) x 280(D)mm Suits 50cm-75cm Cooking Surfaces |
| Cut-Out | 512 x 250mm |
| Filtration Type | 2 x Baffle Filters |
| Lighting | LED 2 x 1.2W (3200K) |
| Finish | 304 Stainless Steel |
| Controls | Touch Control |
| Speed Settings | 3 Speed + Boost |
| Timer Functions | 15min Auto Shut-Off |
| Ducting | 200mm Circular Outlet 6 x Metres of Flexible Ducting Supplied |
| Filter Grease Alarm | Yes |
| Dishwasher Safe Filters | Yes |

Dimensioned Drawings



| Model Code | Motor Output | Motor Solution |
|------------------|------------------------|---------------------|
| FC3CO60S1-IR765 | 765m ³ /hr | In Roof Motor |
| FC3CO60S1-ER765 | 765m ³ /hr | External Roof Motor |
| FC3CO60S1-EW765 | 765m ³ /hr | External Wall Motor |
| FC3CO60S1-IR1140 | 1140m ³ /hr | In Roof Motor |
| FC3CO60S1-ER1140 | 1140m ³ /hr | External Roof Motor |
| FC3CO60S1-EW1140 | 1140m ³ /hr | External Wall Motor |