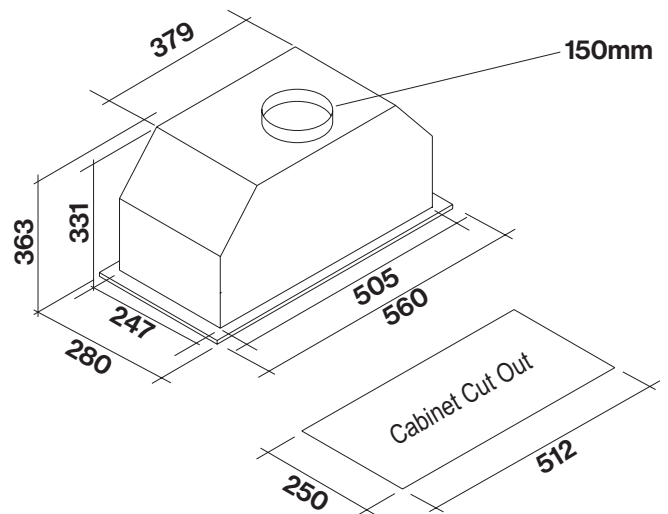




Product Features

Motor Type	On Board
Dimensions	560(W) x 363(H) x 280(D)mm Suits 50cm-75cm Cooking Surfaces
Cut-Out	512 x 250mm
Filtration Type	2 x Baffle Filters
Lighting	LED 2 x 1.2W (3200K)
Finish	304 Stainless Steel
Control	Touch Control
Speed Settings	3 Speed + Boost
Timer Functions	15min Auto Shut-Off
Ducting	150mm Circular Outlet
Grease Filter Alarm	Yes
Dishwasher Safe Filters	Yes

Dimensioned Drawings



* Semi-rigid or rigid ducting recommended.

Model Code	Size	Motor Output	Installation Option	Finish
FC3LN60S1	60cm	950m ³ /hr	Top Ducted	Stainless Steel