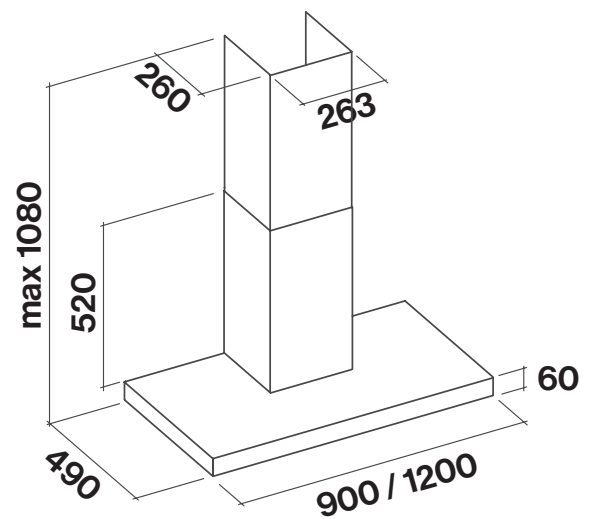




Product Features

Motor Type	On Board Motor
Dimensions	90cm: 900(W) x 1080(H) x 490(D)mm Suits 75cm-100cm Cooking Surfaces 120cm: 1200(W) x 1080(H) x 490(D)mm Suits 90cm-130cm Cooking Surfaces
Filtration Type	Perimeter
Controls	Soft Touch Controls
Lighting	2x LED
Speed Settings	3 Speed + Boost
Timer Function	15 Min Auto Shut-Off
Ducting	150mm Circular Outlet
Optional Accessories	700mm Wall Flue Extension 1200mm Island Flue Extension
Remote Control	Optional
Grease Filter Alarm	Yes
Dishwasher Safe Filters	Yes
Charcoal Filter	Yes

Dimensioned Drawings



Model Code	Size	Motor Output	Finish
F5PT90S1	90cm	800 m ³ /hr	Stainless Steel
F5PT12S1 •	120cm	800 m ³ /hr	Stainless Steel

Special Order •