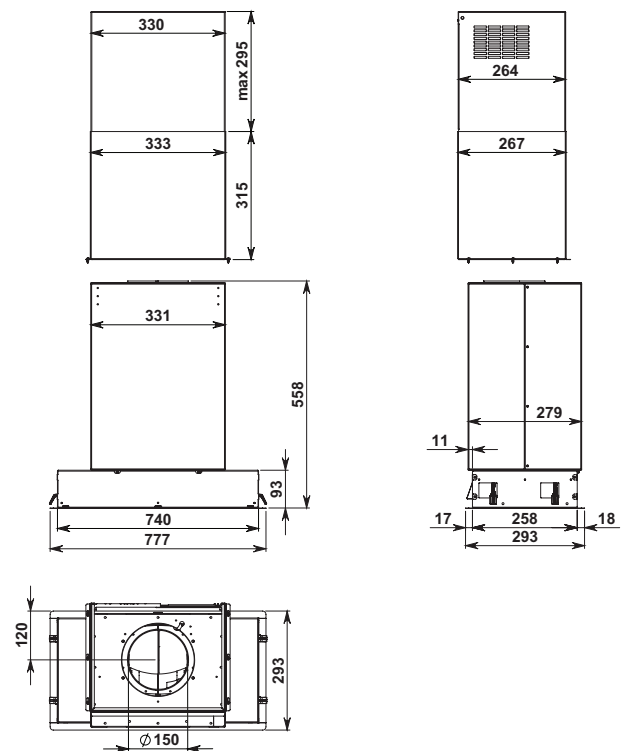


Product Features

Motor Type	On Board
Dimensions	777(W) x 558(H) x 293(D)mm Suits 75cm-100cm Cooking Surfaces
Cut-Out	751 x 262mm
Filtration Type	2 x Aluminum Mesh Filters
Lighting	LED 2 x 1.2W (3200K)
Finish	304 Stainless Steel
Controls	Electronic Controls
Speed Settings	3 Speed + Boost
Timer Functions	15min Auto Shut-Off
Ducting	150mm Circular Outlet
Grease Filter Alarm	Yes
Dishwasher Safe Filters	Yes
Other	Noise Reduction System

Dimensioned Drawings



Model Code	Size	Motor Output	Finish
FC3ARN80S1	80cm	800m³/hr	Stainless Steel