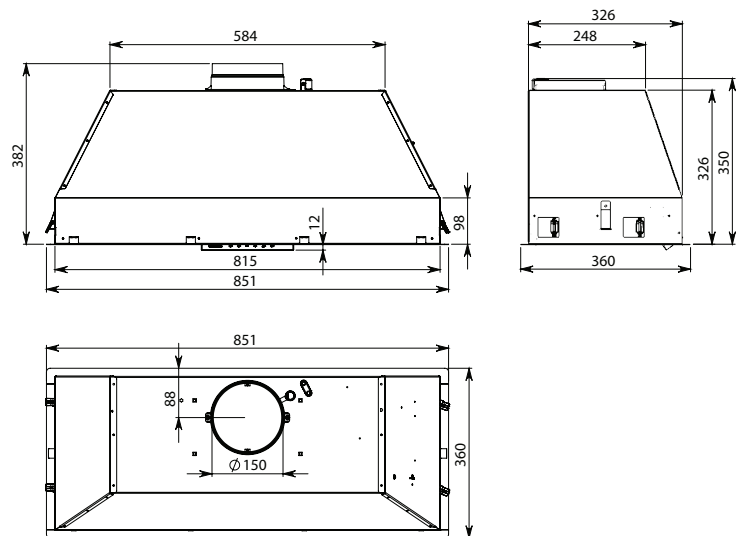




Product Features

Motor Type	On Board Motor
Dimensions	851(W) x 350(H) x 360(D)mm Suits 75cm-100cm Cooking Surfaces
Cut-Out	824 x 330mm
Filtration Type	2 x Baffle Filters
Lighting Type	Dynamic LED Strip
Finish	304 Stainless Steel
Install	Flush Frame
Controls	Touch Control
Speed Settings	3 Speed + Boost
Timer Function	15 Min Auto Shut-Off
Ducting	150mm Circular Outlet
Installation Info	Quick Install Clips
Motor Type	E-Tech Brushless
Remote Control	Optional
Grease Filter Alarm	Yes
Dishwasher Safe Filters	Yes

Dimensioned Drawings



* Semi-rigid or rigid ducting recommended.

Model Code	Motor Output	Installation Option
FP3SND90S2	950m ³ /hr	Top Ducted