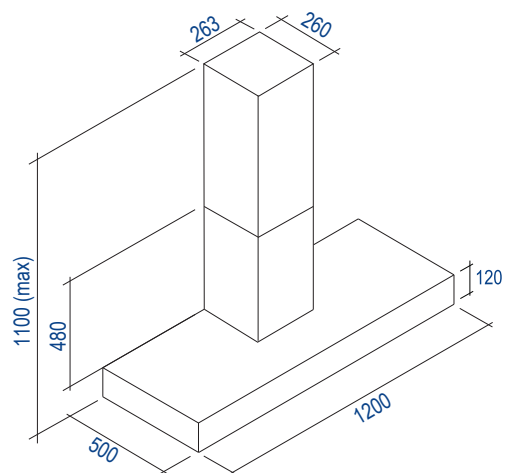




Product Features

Motor Type	Remote (In-Roof or External Mounting)
Filtration Type	Baffle Filters x2 (H-20)
Controls	Touch Control (Remote Control Optional)
Speed Settings	3 Speed + Boost
Timer Functions	15min Auto Shut-Off
Ducting	200mm Acoustic Flexi Ducting Five (5) Meter Length Supplied

Dimensioned Drawings



Model Code	Hood Mounting	Size	Motor Output	Lighting	Finish
F5VN12S1-IR1140	Wall	120 cm	1140 m ³ /h	LED 4 x 1 W	Stainless Steel
F5VN12S1-EW1140	Wall	120 cm	1140 m ³ /h	LED 4 x 1 W	Stainless Steel
F5VN12S1-ER1140	Wall	120 cm	1140 m ³ /h	LED 4 x 1 W	Stainless Steel
F5VN12S1-EW2010	Wall	120 cm	2010 m ³ /h	LED 4 x 1 W	Stainless Steel
F5VN12S1-ER2010	Wall	120 cm	2010 m ³ /h	LED 4 x 1 W	Stainless Steel