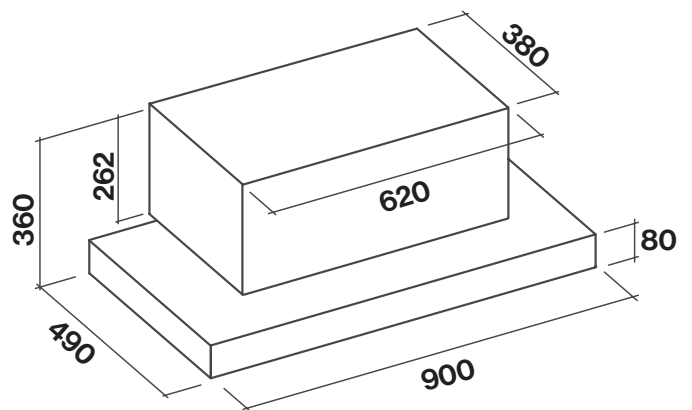




Product Features

Motor Type	On Board Motor
Filtration Type	Air Falmecc Filter Charcoal Filter
Controls	Electronic Controls
Speed Settings	3 Speed + Boost
Timer Function	15 Min Auto Shut-Off
Ducting	150mm Circular Outlet
Optional Accessories	700mm Wall Flue Extension 1200mm Island Flue Extension
Other	N/A

Dimensioned Drawings



E.ion® System 

Model Code	Hood Mounting	Size	Motor Output	Lighting	Finish
F5LB90S1	Wall	90cm	600 m ³ /hr	LED 3 x 1.2 W (3200 K)	Stainless Steel