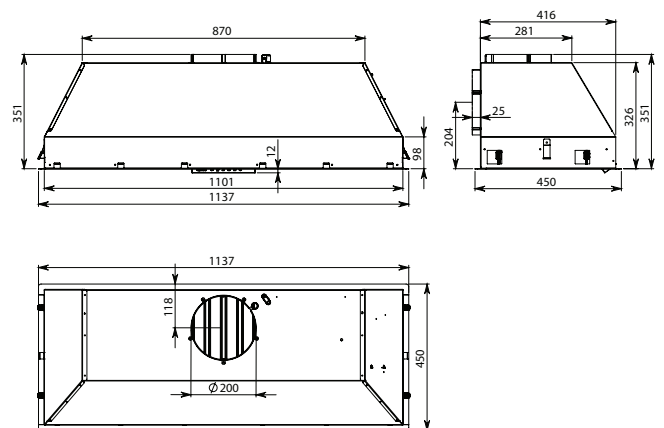




Product Features

Motor Type	Off Board Motor
Dimensions	1137(W) x 351(H) x 450(D)mm Suits 90cm-130cm Cooking Surfaces
Cut-Out	1110 x 420mm
Filtration Type	3 x Baffle Filters
Lighting Type	Dynamic LED Strip
Finish	304 Stainless Steel
Install	Flush Frame
Controls	Touch Control
Speed Settings	3 Speed + Boost
Timer Function	15 Min Auto Shut-Off
Ducting	200mm Circular Outlet + 6m of Flexible Ducting Supplied
Installation Info	Quick Install Clips and Rear Duct Option
Remote Control	Optional
Grease Filter Alarm	Yes
Dishwasher Safe Filters	Yes

Dimensioned Drawings



Model Code	Motor Output	Installation Option
FP3GV12S2-ER2010	2010m ³ /hr	External Roof Motor
FP3GV12S2-EW2010	2010m ³ /hr	External Wall Motor