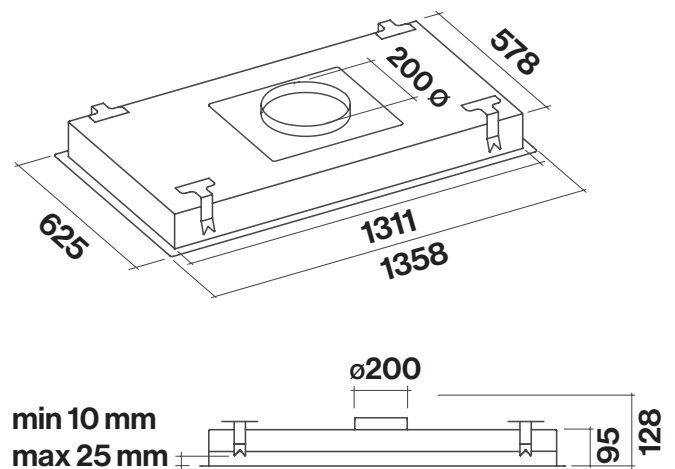




Product Features

|                                |   |
|--------------------------------|---|
| <b>Motor Type</b>              | Off Board Motor   |
| <b>Dimensions</b>              | 1358(W) x 95(H) x 625(D)mm<br>Suits 75cm-150cm Cooking Surfaces |
| <b>Filtration Type</b>         | 4 x Metallic Grease Filter                                      |
| <b>Finish</b>                  | 304 Grade Stainless Steel                                       |
| <b>Controls</b>                | Electronic Control  |
| <b>Speed Settings</b>          | 3 Speed + Boost   |
| <b>Timer Function</b>          | 15 Min Auto Shut-Off  |
| <b>Ducting</b>                 | 200mm Circular Outlet + 6m of Flexible Ducting Supplied         |
| <b>Included Accessories</b>    | 90° Elbow<br>Wall Vent (Inline Motor Only)                      |
| <b>Remote Control</b>          | Included  |
| <b>Grease Filter Alarm</b>     | Yes   |
| <b>Dishwasher Safe Filters</b> | Yes   |

Dimensioned Drawings



\* Maximum distance from cooktop 150cm

| Model Code      | Installation Option | Motor Output            | Finish          |
|-----------------|---------------------|-------------------------|-----------------|
| F9NB14S1-IN1300 | Ceiling             | 1300 m <sup>3</sup> /hr | Stainless Steel |
| F9NB14S1-EW1500 | Ceiling             | 1500 m <sup>3</sup> /hr | Stainless Steel |