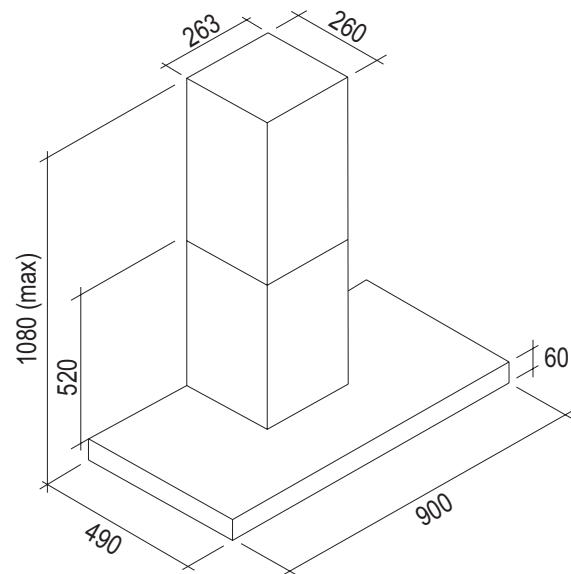




Product Features

Motor Type	Off Board
Dimensions	900(W) x 1080(H) x 490(D)mm Suits 75cm-100cm Cooking Surfaces
Filtration Type	3 x Baffle Filters
Lighting	LED 2 x 1.2W (3200K)
Finish	304 Stainless Steel
Controls	Touch Control
Speed Settings	3 Speed + Boost
Timer Functions	15min Auto Shut-Off
Ducting	200mm Circular Outlet 6 x Metres of Flexible Ducting Supplied
Grease Filter Alarm	Yes
Dishwasher Safe Filters	Yes

Dimensioned Drawings



Model Code	Motor Output	Motor Solution
FC5PI90S1-IR765	765m ³ /hr	In Roof Motor
FC5PI90S1-ER765	765m ³ /hr	External Roof Motor
FC5PI90S1-EW765	765m ³ /hr	External Wall Motor
FC5PI90S1-IR1140	1140m ³ /hr	In Roof Motor
FC5PI90S1-ER1140	1140m ³ /hr	External Roof Motor
FC5PI90S1-EW1140	1140m ³ /hr	External Wall Motor