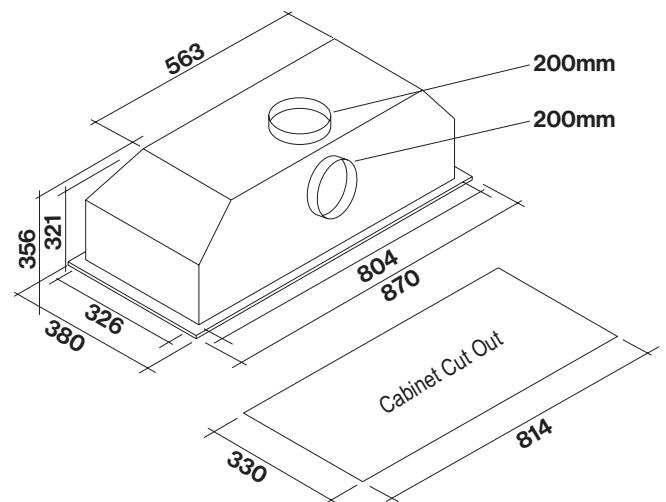




Product Features

<b>Motor Type</b>	Off Board
<b>Dimensions</b>	870(W) x 356(H) x 380(D)mm Suits 75cm-100cm Cooking Surfaces
<b>Cut-Out</b>	814 x 330mm
<b>Filtration Type</b>	Baffle Filters x2
<b>Lighting</b>	LED 4 x 1.2W (3200K)
<b>Finish</b>	304 Stainless Steel
<b>Controls</b>	Touch Control
<b>Speed Settings</b>	3 Speed + Boost
<b>Timer Functions</b>	15min Auto Shut-Off
<b>Ducting</b>	200mm Circular Outlet 6 x Metres of Flexible Ducting Supplied
<b>Grease Filter Alarm</b>	Yes
<b>Dishwasher Safe Filters</b>	Yes

Dimensioned Drawings



Model Code	Motor Output	Motor Solution
FC3COD90S1-IR1140	1140m <sup>3</sup> /hr	In Roof Motor
FC3COD90S1-ER1140	1140m <sup>3</sup> /hr	External Roof Motor
FC3COD90S1-EW1140	1140m <sup>3</sup> /hr	External Wall Motor
FC3COD90S1-ER2010	2010m <sup>3</sup> /hr	External Roof Motor
FC3COD90S1-EW2010	2010m <sup>3</sup> /hr	External Wall Motor