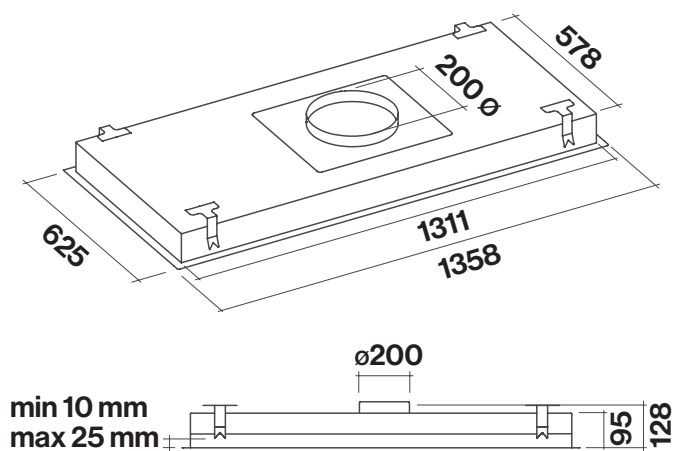




Product Features

Motor Type	Off Board
Dimensions	1358(W) x 95(H) x 625(D)mm Suits 90cm-150cm Cooking Surfaces
Filter Type	4 x Mesh Filter with Perimeter Suction
Lighting	2 x Neon
Controls	Electronic Control (Remote Control Included)
Speed Settings	3 Speed + Boost
Timer Function	15 Min Auto Shut-Off
Ducting	200mm Circular Outlet + 6m of Flexible Ducting Supplied
Included Accessories	90° Elbow Wall Vent (Inline Motor Only)
Remote Control	Included
Grease Filter Alarm	Yes
Dishwasher Safe Filters	Yes

Dimensioned Drawings



* Maximum distance from cooktop 150cm

Model Code	Motor Output	Finish
F9NV14S1-IN1300 •	1300 m ³ /hr	Stainless Steel
F9NV14S1-EW1500 •	1500 m ³ /hr	Stainless Steel
F9NV14W1-IN1300 •	1300 m ³ /hr	White
F9NV14W1-EW1500 •	1500 m ³ /hr	White

Special Order •