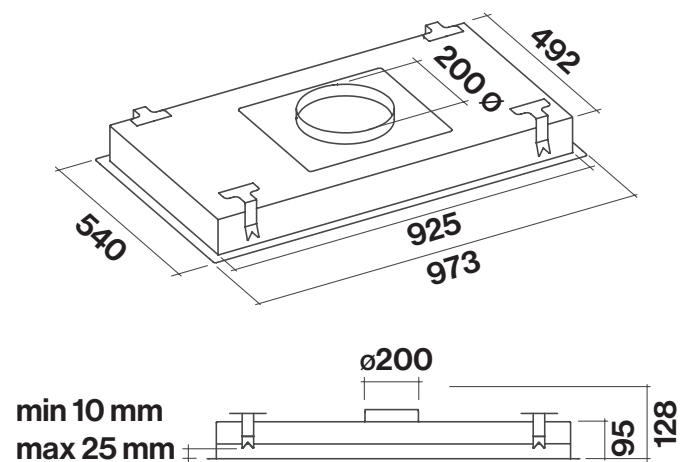




Product Features

<b>Motor Type</b>	Off Board
<b>Dimensions</b>	973(W) x 95(H) x 540(D)mm Suits 65cm-100cm Cooking Surfaces
<b>Filter Type</b>	3 x Mesh Filter with Perimeter Suction
<b>Controls</b>	Electronic Control
<b>Lighting</b>	3 x Neon
<b>Speed Settings</b>	3 Speed + Boost
<b>Timer Function</b>	15 Min Auto Shut-Off
<b>Ducting</b>	200mm Circular Outlet + 6m of Flexible Ducting Supplied
<b>Included Accessories</b>	90° Elbow Wall Vent (Inline Motor Only)
<b>Remote Control</b>	Included
<b>Grease Filter Alarm</b>	Yes
<b>Dishwasher Safe Filters</b>	Yes

Dimensioned Drawings



\* Maximum distance from cooktop 150cm

Model Code	Motor Output	Finish
F9NV90S1-IN1300 •	1300 m <sup>3</sup> /hr	Stainless Steel
F9NV90S1-EW1500 •	1500 m <sup>3</sup> /hr	Stainless Steel
F9NV90W1-IN1300 •	1300 m <sup>3</sup> /hr	White
F9NV90W1-EW1500 •	1500 m <sup>3</sup> /hr	White

Special Order •