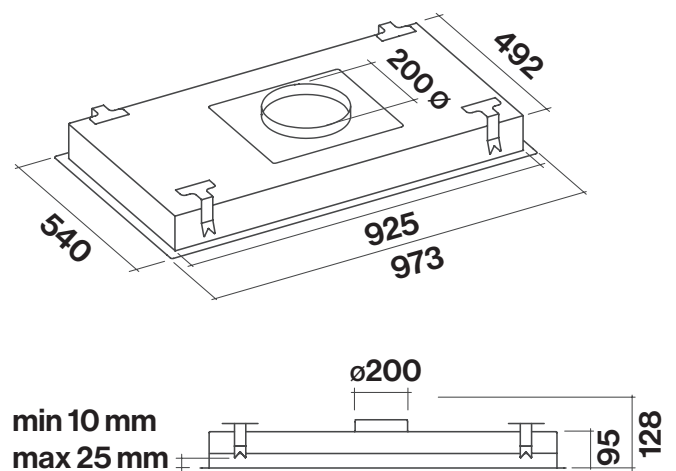




Product Features

Motor Type	Off Board Motor
Dimensions	973(W) x 95(H) x 540(D)mm Suits 75cm-150cm Cooking Surfaces
Filtration Type	3 x Metallic Grease Filter
Finish	304 Grade Stainless Steel
Controls	Electronic Control
Speed Settings	3 Speed + Boost
Timer Function	15 Min Auto Shut-Off
Ducting	200mm Circular Outlet + 6m of Flexible Ducting Supplied
Included Accessories	90° Elbow Wall Vent (Inline Motor Only)
Remote Control	Included
Grease Filter Alarm	Yes
Dishwasher Safe Filters	Yes

Dimensioned Drawings



* Maximum distance from cooktop 150cm

Model Code	Installation Option	Size	Motor Output	Finish
F9NB90S1-IN1300 •	Ceiling	90cm	1300 m ³ /hr	Stainless Steel
F9NB90S1-EW1500 •	Ceiling	90cm	1500 m ³ /hr	Stainless Steel

Special Order •