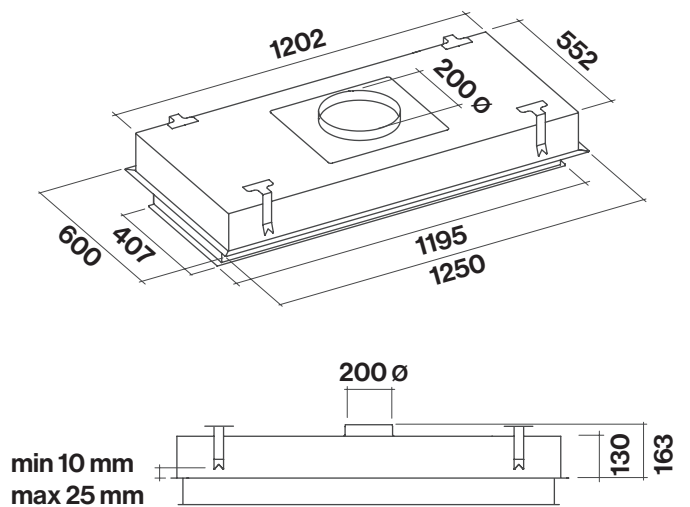




Product Features

<b>Motor Type</b>	Off Board
<b>Dimensions</b>	1250(W) x 130(H) x 600(D)mm Suits 90cm-130cm Cooking Surfaces
<b>Filter Type</b>	4 x Metallic Grease Filter
<b>Lighting</b>	4 x LED
<b>Controls</b>	Touch Controls
<b>Speed Settings</b>	3 Speed + Boost
<b>Timer Function</b>	15 Min Auto Shut-Off
<b>Ducting</b>	200mm Circular Outlet + 6m of Flexible Ducting Supplied
<b>Included Accessories</b>	90° Elbow Wall Vent (Inline Motor Only)
<b>Remote Control</b>	Included
<b>Grease Filter Alarm</b>	Yes
<b>Dishwasher Safe Filters</b>	Yes

Dimensioned Drawings



\* Maximum distance from cooktop 150cm

Model Code	Hood Mounting	Motor Output	Finish
F9ES12W1-IN1300 •	Ceiling	1300 m <sup>3</sup> /hr	White Steel
F9ES12W1-EW1500 •	Ceiling	1500 m <sup>3</sup> /hr	White Steel

Special Order •