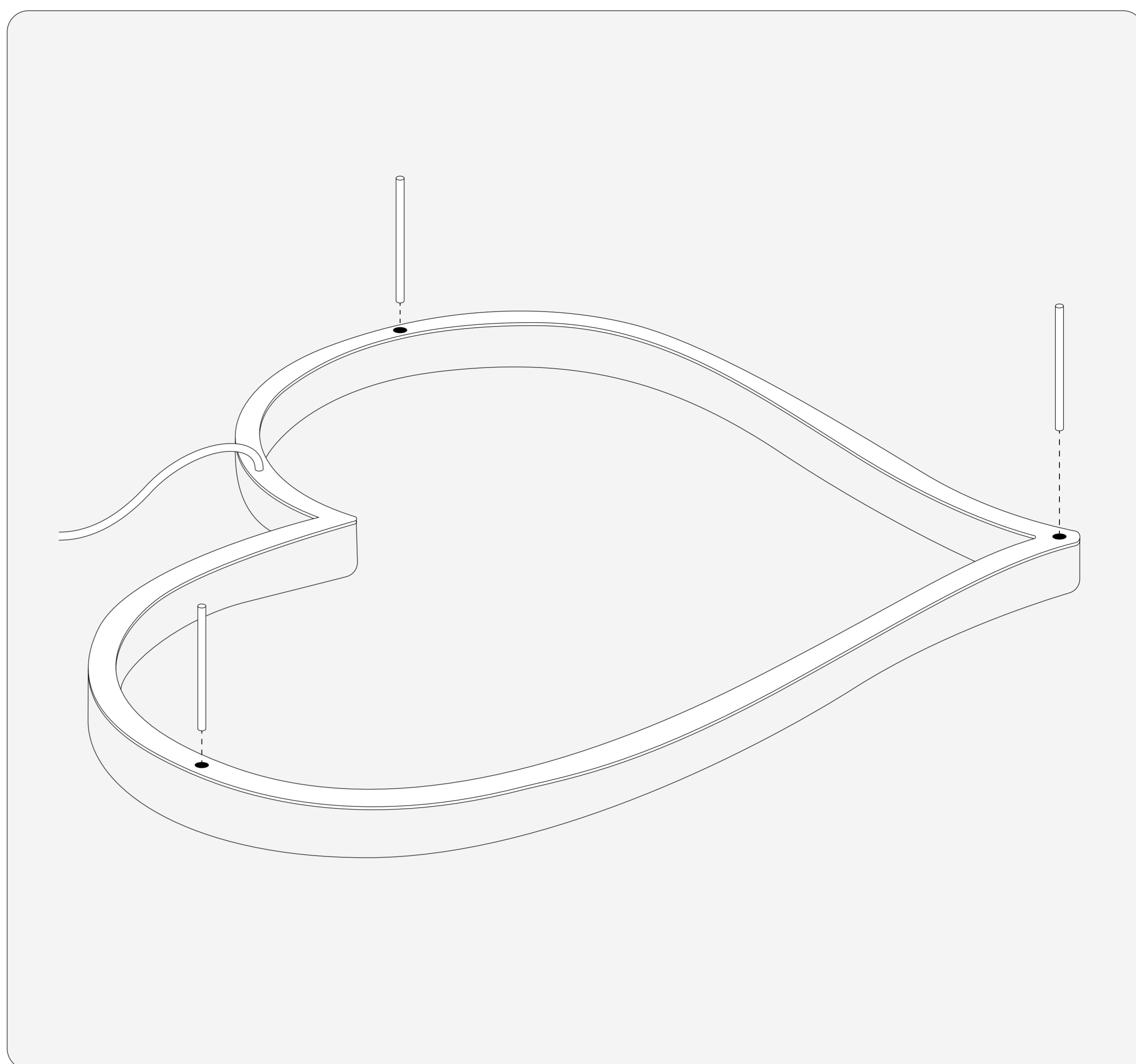
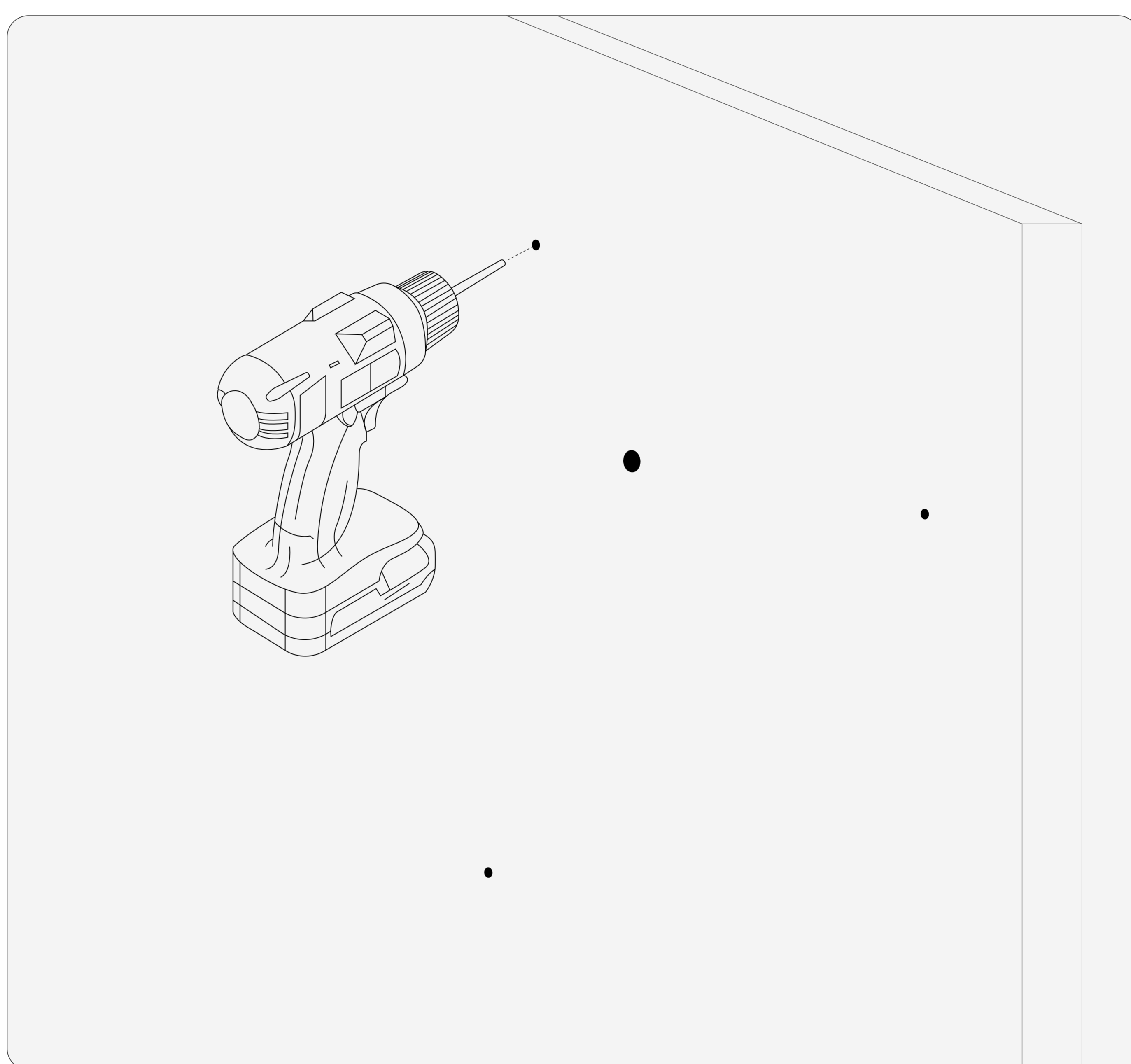


1. Insert the threaded rods into the back of the steel frame. This can be done by hand.



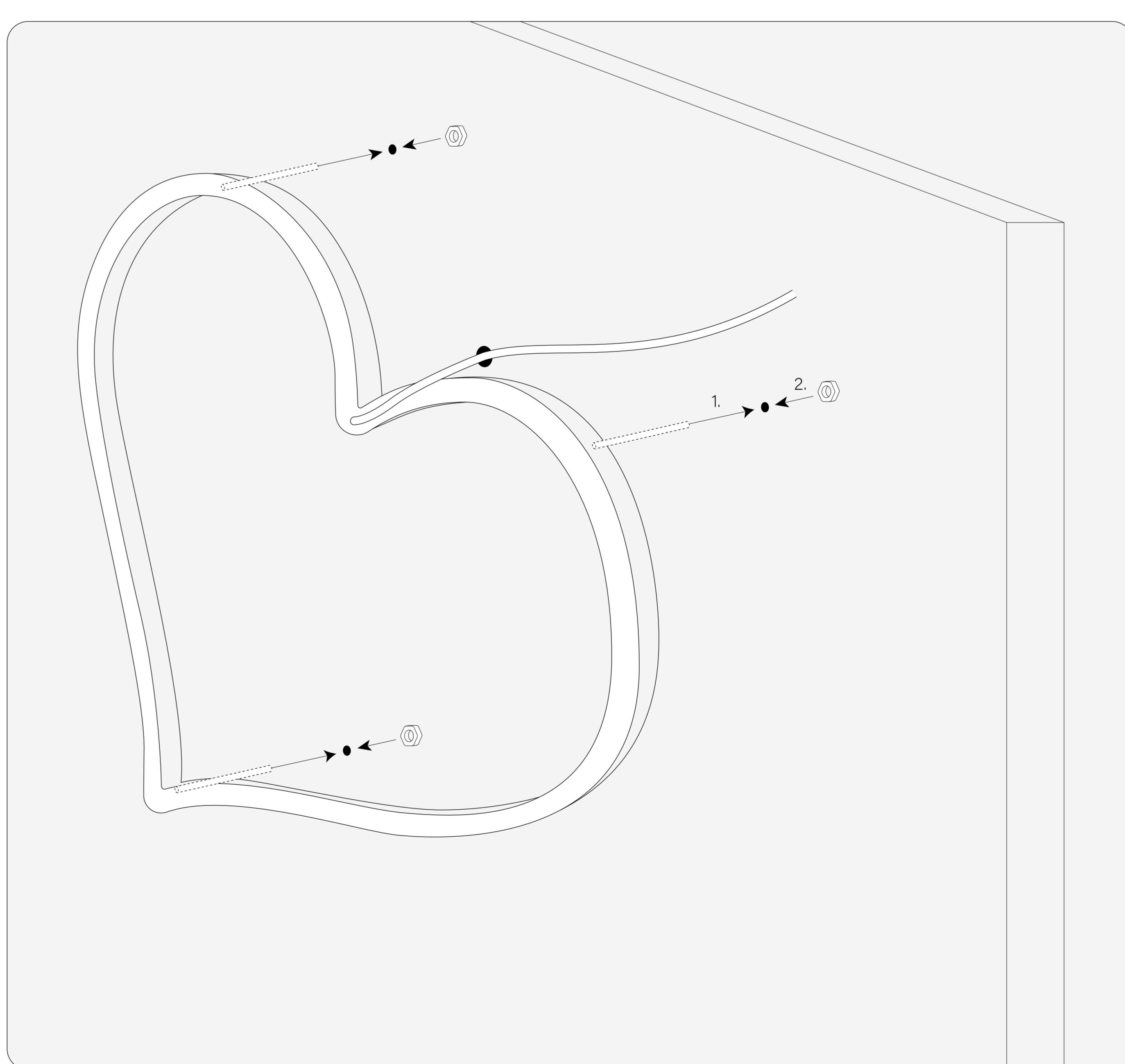
2. Use the paper template which comes with your order to mark the drill points.

3. Drill into the wall, making sure that each hole is the same depth. The further in you drill, the less the sign will stick out. We usually recommend drilling ≈2cm.



4. Insert the threaded rods into the drill holes. Pass the wiring through a larger hole for a hidden effect.

5. On the other side of the wall, connect the nuts to the rods to secure the sign to the surface



- In the case that you cannot access the back of the wall, apply a strong adhesive into the drill hole before inserting the threaded rods into the wall.