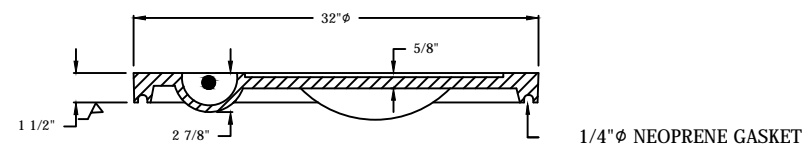
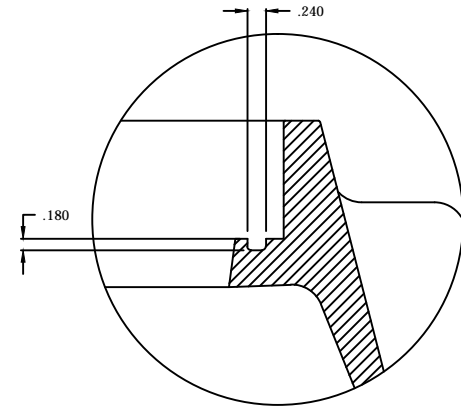


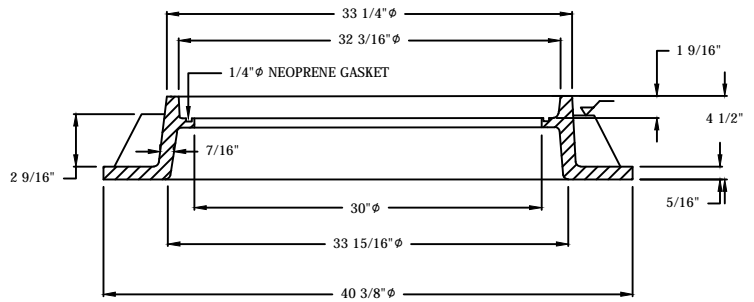
BOTTOM VIEW OF COVER



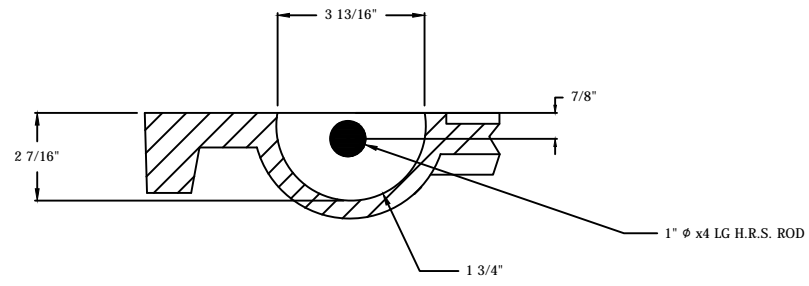
COVER SECTION



GROOVE DETAIL



FRAME SECTION



PICKBAR DETAIL

✓ MACHINED SURFACE

AccuCast
 415 S, 21 st. STREET
 WACO, TX 78706
 Phone : 1-254-756-3200
 Fax : 1-254-756-0200
 Watts : 1-800-433-6865

DRAWN BY : DATE :
 P.S 01.13.11

APPROVED :

REVISION :

SCALE : NOT TO SCALE

LOAD RATING
 HEAVY DUTY

MATERIAL SPECIFICATION
 ASTM A 48 CLASS 35B

COATING
 BITUMINOUS TAR COATED
 (UNCOATED ON REQUEST)

ESTIMATED WEIGHT. LBS.
 ● FRAME - 170 LBS
 ● COVER - 175 LBS
 ● UNIT - 345 LBS

MAT'L SPEC.
 COVER - DUCTILE IRON
 ASTM A536
 FRAME - GRAY IRON
 ASTM A48 CL35B

PART/DWG. NUMBER

CATALOG NUMBER

Manhole Ring & Cover—City Of Fort Worth—"STORM DRAIN"