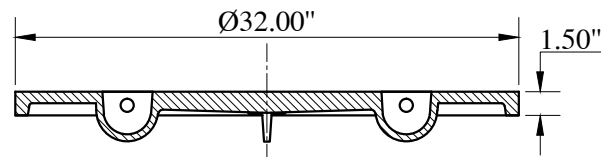
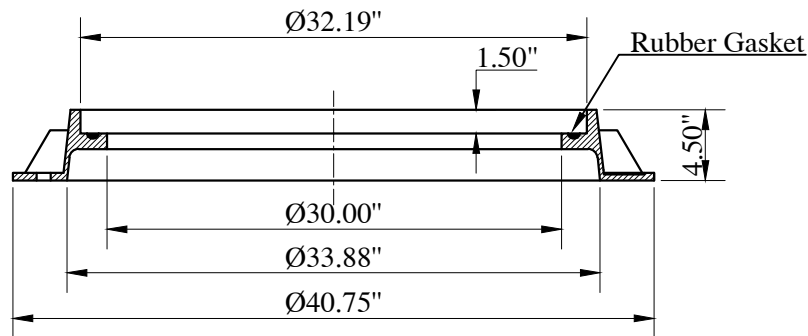


PLAN VIEW



SECTION OF COVER



SECTION OF FRAME

**AccuCast**

415 S, 21 st. STREET  
WACO, TX 78706

Phone : 1-254-756-3200

Fax : 1-254-756-0200

Watts : 1-800-433-8865

DRAWN BY : DATE :  
P.S

APPROVED :

REVISION :

SCALE : NOT TO SCALE

LOAD RATING

MATERIAL SPECIFICATION  
ASTM A 48 CLASS 35B

COATING  
BITUMINOUS TAR COATED  
(UNCOATED ON REQUEST)

ESTIMATED WEIGHT. LBS.

- COVER-200 LBS.
- FRAME-160 LBS.
- TOTAL-360 LBS.

PART/DWG. NUMBER

211026

CATALOG NUMBER

32" CITY OF PLANO -SANITARY SEWER-W/T