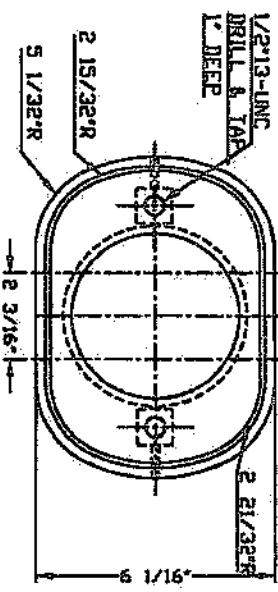
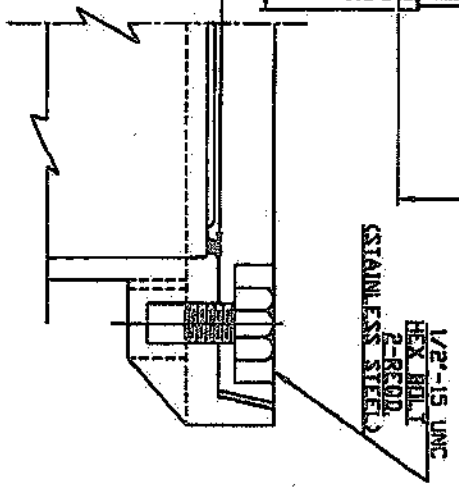
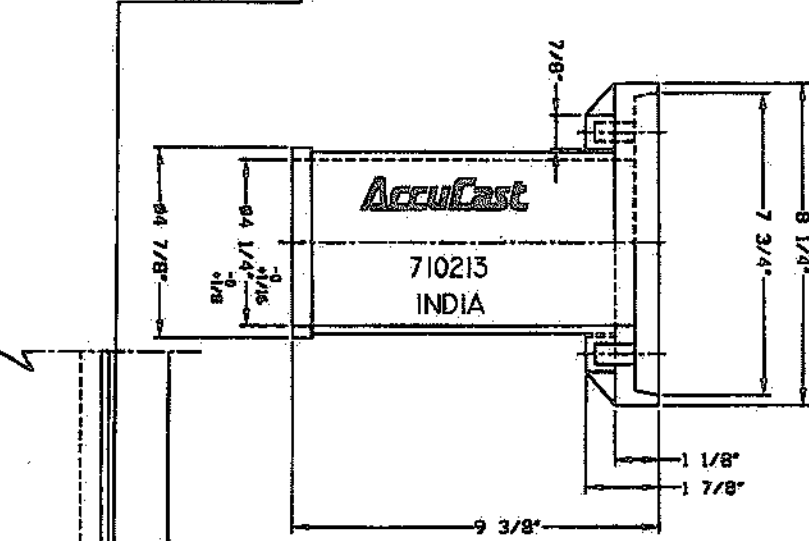
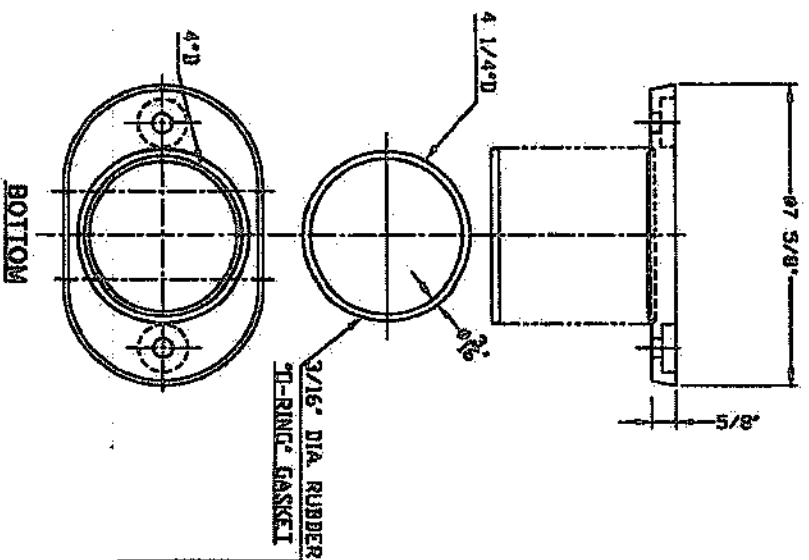


COVER



CLEANOUT



CAST IRON
LID

PLASTIC
BODY

AccuCast

418 S. 21st STREET
WACO, TX 76708

Phone 1-254-756-3200
Fax 1-254-756-0200
Website 1-800-433-6885

DRAWN BY: DATE:

APPROVED:

REVISION:

SCALE: NOT TO SCALE

LOAD RATING

NON TRAFFIC

MATERIAL SPECIFICATION

ASTM A48 CLASS 30

COATING

AS REQUIRED

(UNCOATED ON REQUEST)

ESTIMATED WEIGHT - LBS.

PART / DWG NUMBER

710213

CATALOG NUMBER

710233

PLASTIC 4" LATERAL SEWER CLEANOUT - CAST IRON LID