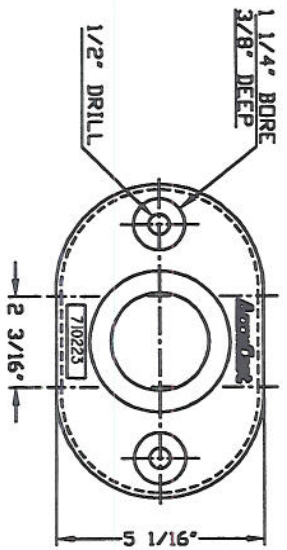
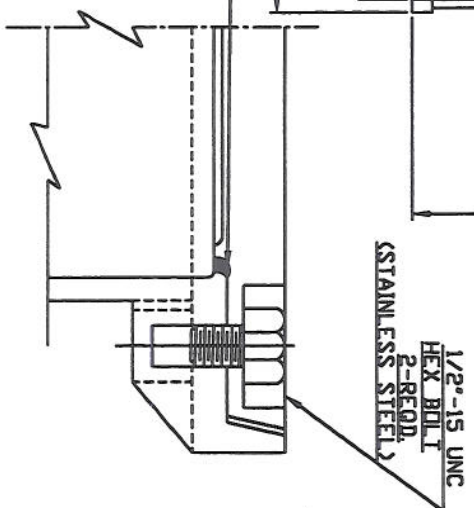
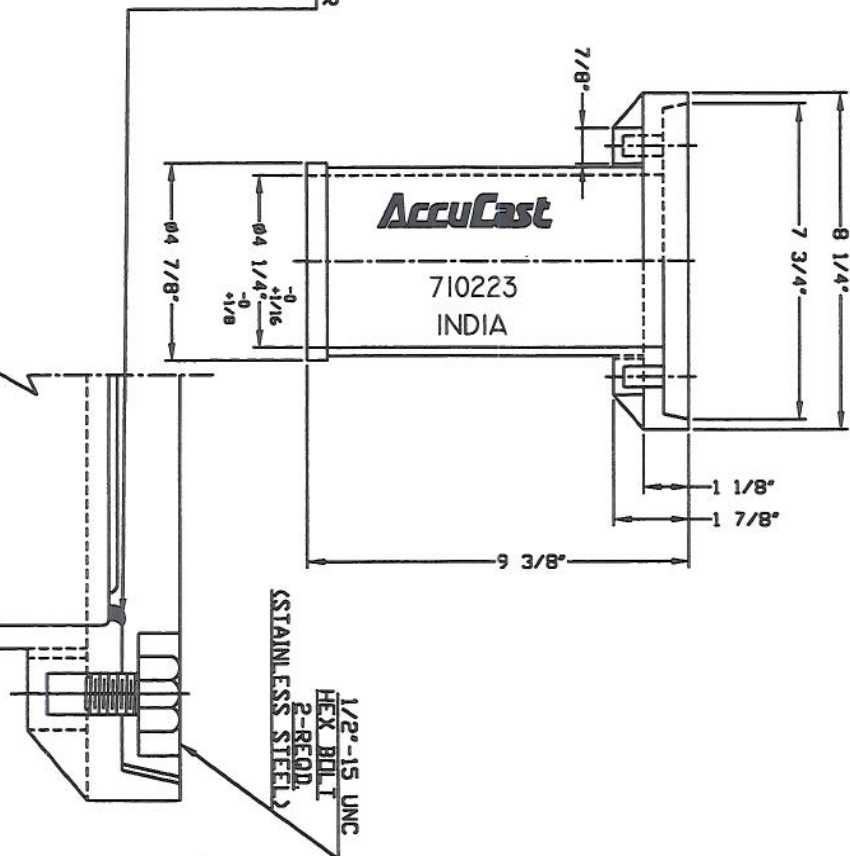
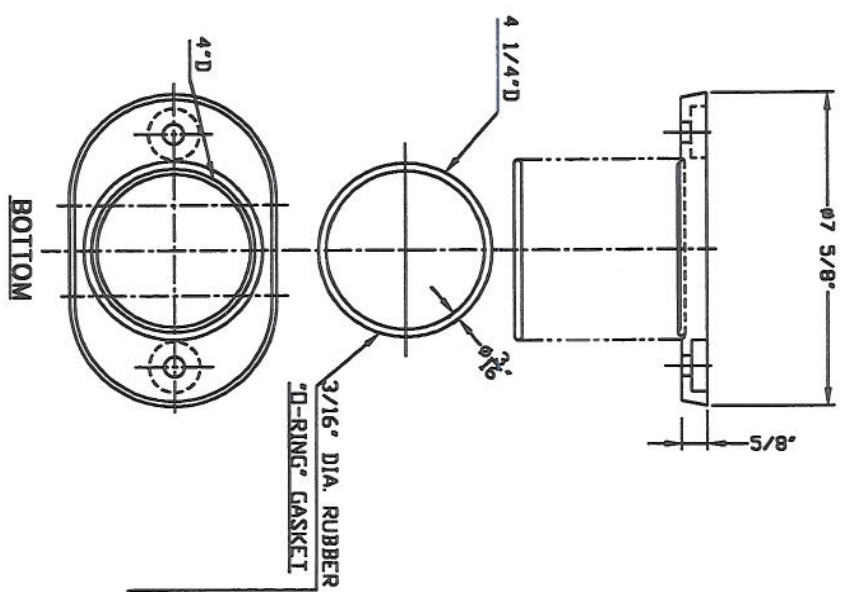
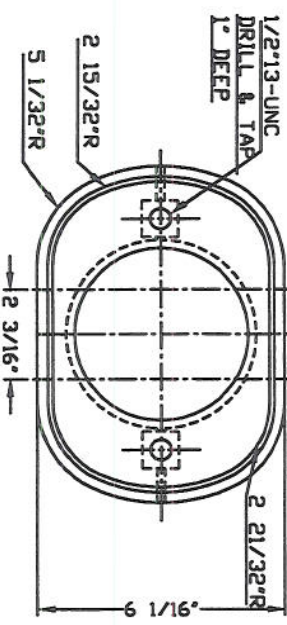


COVER



CLEANOUT



4\"/>



415 S. 21st STREET
 WACO, TX 76706
 Phone 1-254-756-3200
 Fax 1-254-756-0200
 Watts 1-800-433-6885

DRAWN BY: DATE:
 APPROVED:
 REVISION:

SCALE: NOT TO SCALE
 LOAD RATING
 NON TRAFFIC

MATERIAL SPECIFICATION
 P.V.C. OR ABS PLASTIC

COATING
 BITUMASTIC ASPHALTIC TAR
 (UNCOATED ON REQUEST)
 ESTIMATED WEIGHT - LBS.

PART / DWG NUMBER	710223
CATALOG NUMBER	710223