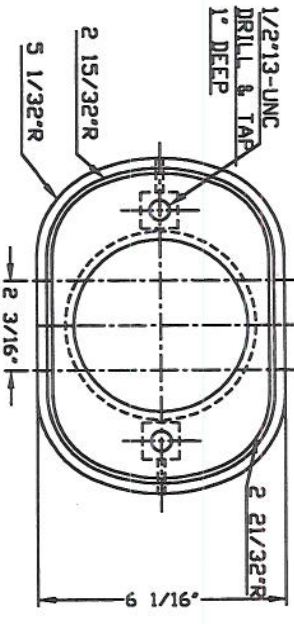
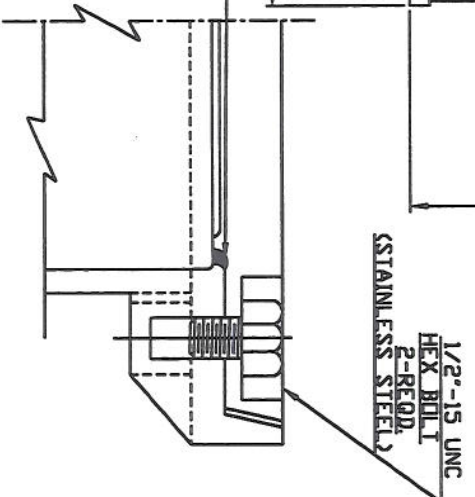
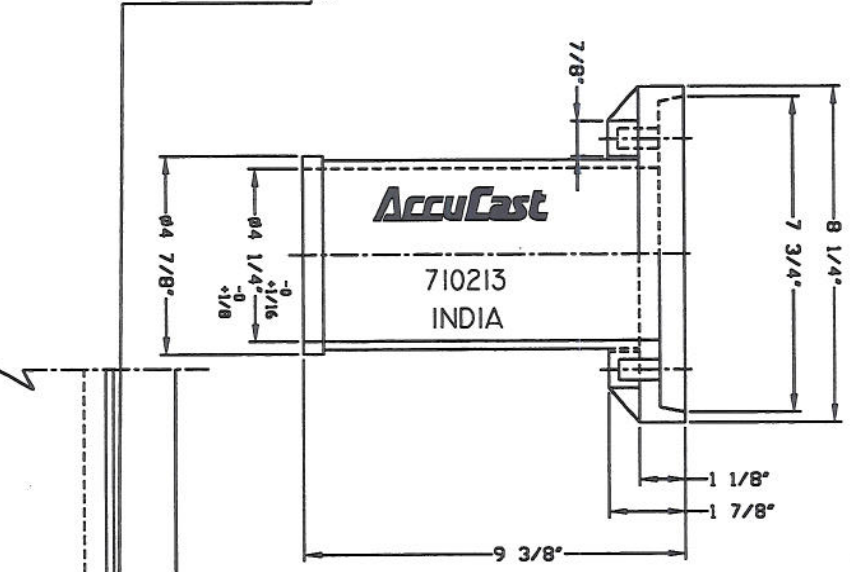
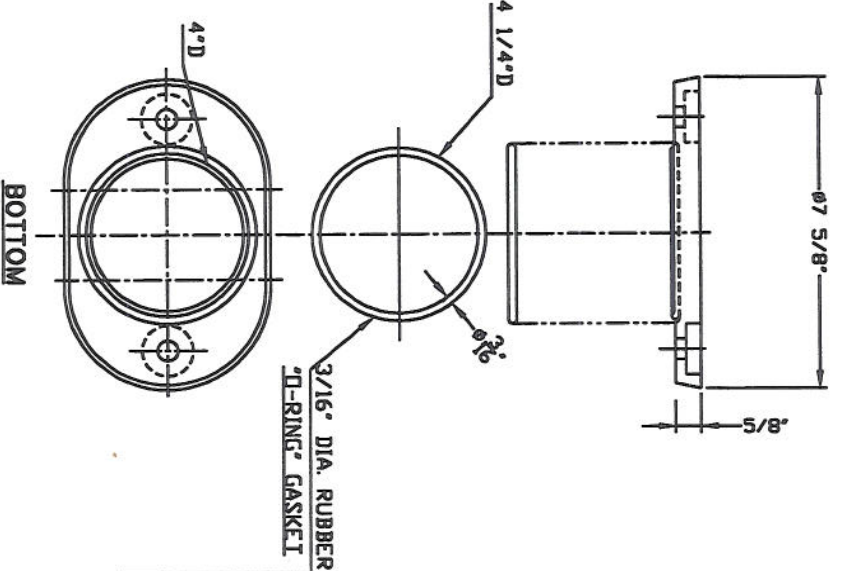


COVER



CLEANOUT



AccuCast
 415 S. 21st. STREET
 WACO, TX 76708
 Phone 1-254-756-3200
 Fax 1-254-756-0200
 Watts 1-800-433-6885

DRAWN BY: DATE:
 APPROVED:
 REVISION:

SCALE: NOT TO SCALE
 LOAD RATING
 NON TRAFFIC

MATERIAL SPECIFICATION
 ASTM A48 CLASS 30

COATING
 AS REQUIRED
 (UNCOATED ON REQUEST)

ESTIMATED WEIGHT - LBS.
 Base-11Lbs.
 LID-4Lbs.
 TOTAL-15Lbs.

PART / DWG NUMBER
 710213
 CATALOG NUMBER
 710213

4" LATERAL SEWER CLEANOUT - CAST IRON