

AccuCast

415 S. 21st. STREET
WACO, TX 76706

Phone 1-254-756-3200
Fax 1-254-756-0200
Watts 1-800-433-6885

DRAWN BY: DATE:
APPROVED:
REVISION:

SCALE: NOT TO SCALE

LOAD RATING
NON-TRAFFIC

MATERIAL SPECIFICATION
ASTM A 48 CLASS 30
(Class 35 Upon Request)

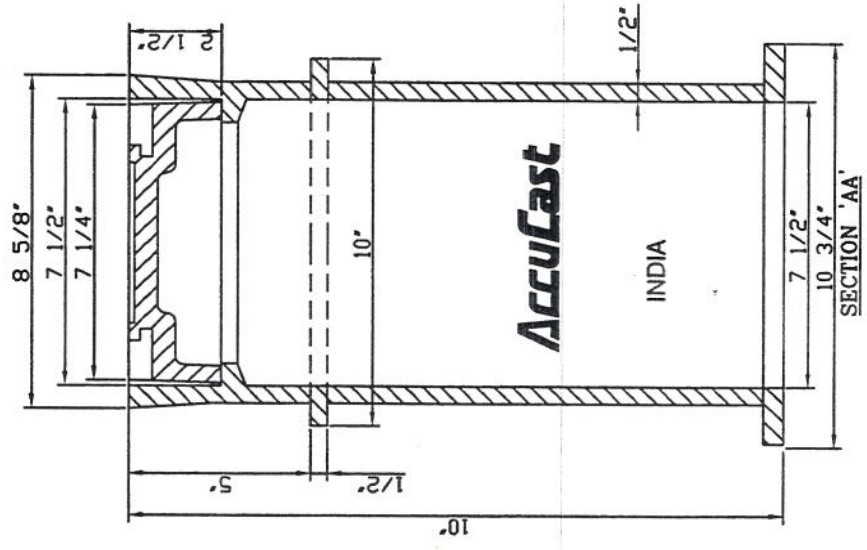
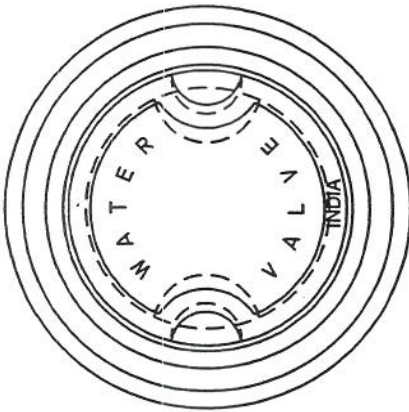
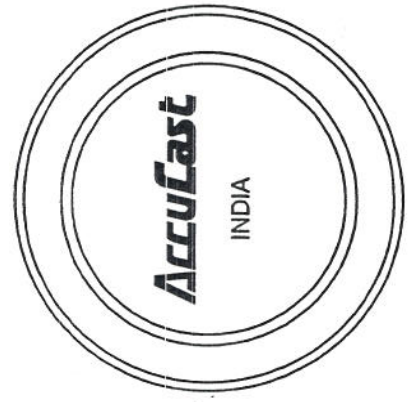
COATING
BITUMINOUS TAR COATED
(UNCOATED ON REQUEST)

ESTIMATED WEIGHT - LBS.
50 Lbs

PART / DWG NUMBER

SHORTY VBX

CATALOG NUMBER
115002



Part #	Lid Marking
115003	SEWER

CITY OF DALLAS VALVE BOX