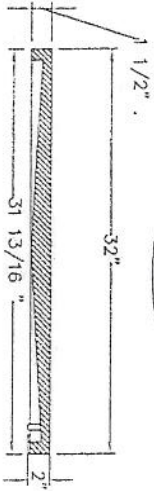
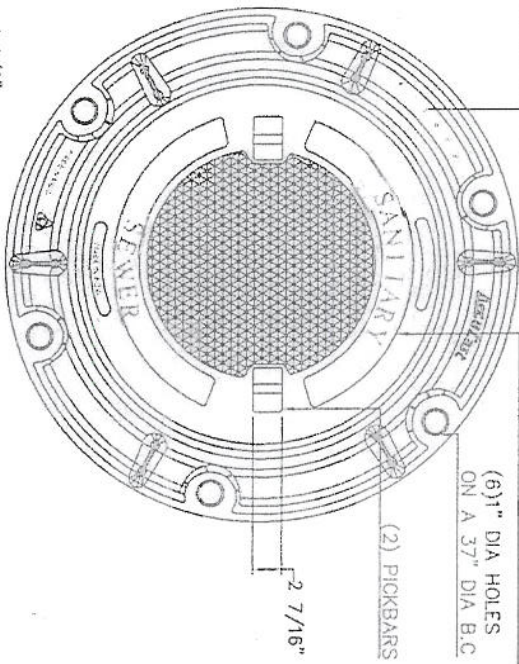
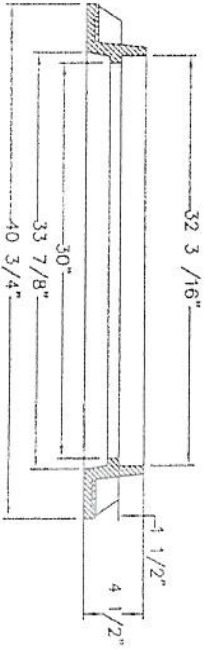


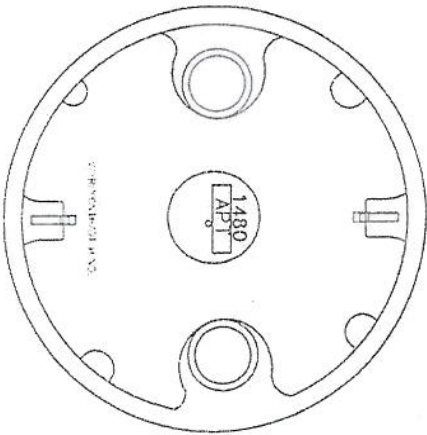
1/2" LETTERS/RECESSED FLUSH) 1 1/2" LETTERS/RECESSED FLUSH)



COVER SECTION



RING SECTION



COVER BACK

32" MANHOLE RING AND COVER " SANITARY SEWER"



415 S. 21st. STREET  
WACO, TX 76708  
Phone 1-254-756-3200  
Fax 1-254-756-0200  
Watts 1-800-433-6885

DRAWN BY: P.S

DATE: 16/03/2009

APPROVED:

REVISION:

SCALE: NOT TO SCALE

LOAD RATING  
HEAVY DUTY

MATERIAL SPECIFICATION  
ASTM A48 CL 35

COATING  
BITUMINOUS TAR COATED  
(UNCOATED ON REQUEST)

ESTIMATED WEIGHT - LBS.

Frame-- 170 LBS.  
Cover-- 210 LBS.

PART / DWG NUMBER

CATALOG NUMBER

211009