

# 406P & 406CAP Undercounter

406P & 406CAP Undercounter Series

## Models

- 406P Undercounter refrigerator single section on legs
- 406CAP Undercounter refrigerator single section on casters



406CAP

## Standard Features

- Features Delfield's exclusive ABS interior. ABS is extremely durable - it won't dent, chip or corrode and is backed by a limited lifetime warranty
- Stainless steel front and sides
- One epoxy coated wire shelves
- Environmentally friendly R290 refrigerant
- Foamed in place environmentally friendly, Kyoto Protocol Compliant, Non ODP (Ozone Depletion Potential), Non GWP (Global Warming Potential) polyurethane cuts energy costs
- Black recessed quick grip handle
- Rugged 6" high heavy duty metal legs (models 406P only). Units with a "CAP" suffix are standard on 3" diameter (3.75" ride height) casters
- All units come standard hinged right and may be changed at the factory at no charge. Indicate when order is placed
- 6' cord and plug supplied
- Interior thermometer
- Three year parts and labor warranty and an additional two year compressor parts warranty

## Options & Accessories

- Stainless steel back
- Plastic laminate on front
- Additional shelf
- Stainless steel single-tier overshef
- 2" diameter (2.5" ride height) casters
- 5" diameter (6" ride height) casters
- Model 409 stacking collar
- Door lock

## Specifications

**Exterior bottom** shall be heavy-gauge galvanized metal. Exterior ends shall be heavy-gauge stainless steel.

**Base interior** shall be one-piece thermoformed ABS plastic material, with integral shelf supports. ABS interior is backed by a limited lifetime warranty. Base shall be fully insulated with high-density foamed-in-place environmentally friendly, Kyoto Protocol Compliant, Non ODP (Ozone Depletion Potential), Non GWP (Global Warming Potential) polyurethane.

**Door** shall have a heavy-gauge stainless steel exterior, with a thermoformed ABS plastic interior liner, and shall be fully insulated with foamed-in-place polyurethane. Door handle shall be black, recessed ABS. Cabinet shall have (1) adjustable epoxy-coated wire shelves installed.

**REFRIGERATION SYSTEM:** Refrigeration system shall use R290 refrigerant. Compressor shall be 1/5 h.p., with condenser coil and hot gas condensate evaporator mounted on rear of cabinet. Evaporator coil shall be mounted on the interior rear wall of the cabinet. Temperature control is mounted to the exterior rear of the cabinet. Refrigerant flow shall be controlled by a capillary tube. Cabinet shall maintain 36°F to 40°F (2°C to 4°C) interior cabinet temperature.

System is controlled using Delfield's ACT-Advanced Control Technology electronic temperature control, which provides improved pull down times, reduces compressor cycling and longer compressor life with lower energy consumption.

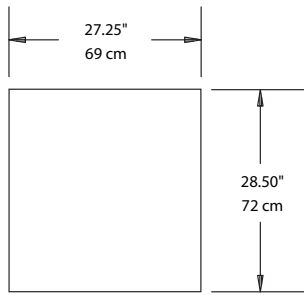
**Electrical** connections shall be 115 volt, 60 Hertz, single phase. Unit shall have a 6' (1.8m) long electrical cord and NEMA 5-15P plug. Cord and plug shall be located on rear of cabinet, 16" (40.6cm) above floor, 5" from the left side.

**406P:** Equipment is shipped with loose 6" (15.2cm) high metal legs with black enamel finish unless mounting is specified on original sales order. Exterior top shall be one-piece, heavy-gauge stainless steel with front edge turned down to form nosing and rear edge turned down.

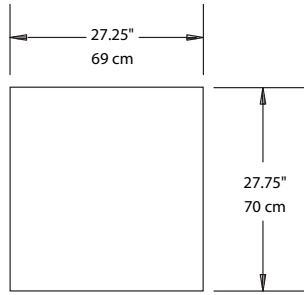
**406CAP:** Equipment is shipped with loose 3" diameter (3.75" ride height) casters high casters (two locking and two non-locking) unless mounting is specified on original sales order. Exterior top shall be one-piece, heavy-gauge aluminum with all edges turned down.



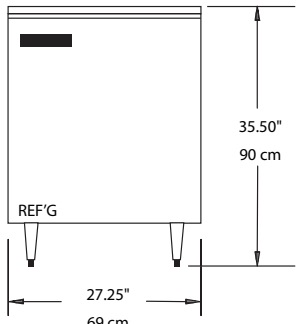
# 406P & 406CAP Undercounter Series



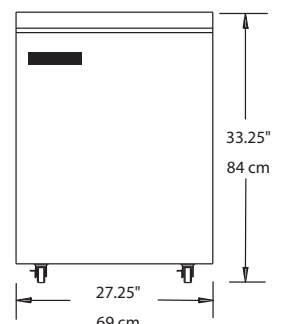
Plan View 406P



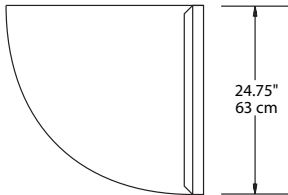
Plan View 406CAP



Elevation View 406P

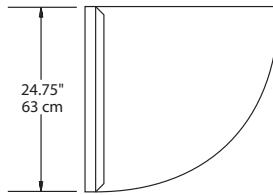


Elevation View 406CAP



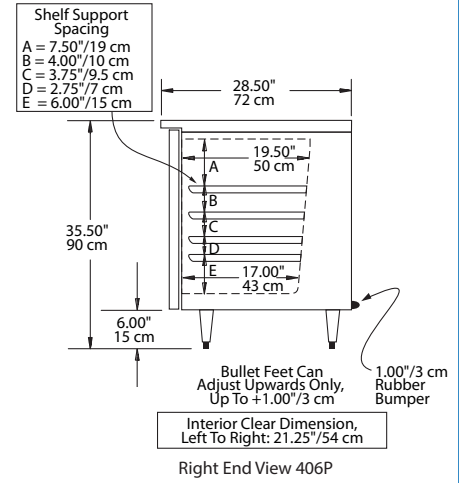
Standard Door Hinging Is On Right

Door Clearance Detail 406P

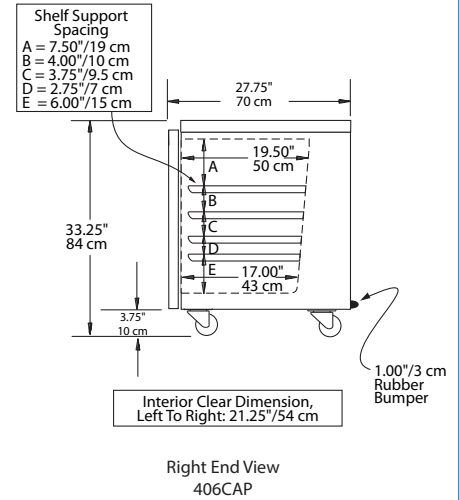


Standard Door Hinging Is On Left

Door Clearance Detail 406CAP



Right End View 406P



Right End View 406CAP

**Installation Note For All Models:**  
 Refrigeration system is designed so that air will flow under the unit, through the compressor area, and out the top rear of the unit. Any restriction to this air flow path will void the warranties.

**Specifications**

Model	# of Shelves	Shelf Area	Volume	H.P.	V/Hz/Ph	Amps	NEMA Plug	Ship Weight	Energy (KWH/Day)
406P	1	4.6ft <sup>2</sup>	5.7ft <sup>3</sup>	1/5	115/60/1	4.0	5-15P	176lbs (80kg)	1.16
406CAP	1	4.6ft <sup>2</sup>	5.7ft <sup>3</sup>	1/5	115/60/1	4.0	5-15P	168lbs (76kg)	1.16

Delfield reserves the right to make changes to the design or specifications without prior notice.