

## Air Treatment

# Single Tower Desiccant Dryer



### Dry air

Kaeser's KDF series single tower desiccant air dryer significantly lowers compressed air dew points. With a simple flow-through design, the dryer economically produces atmospheric dew points as low as -45°F.

The KDF's modular design allows the user to easily install the required pre-filter. The KDF is ideally suited for point of use applications needing small volumes of extremely dry air.

### Economical

The KDF is a very affordable and economical compressed air dryer that requires no electricity. The silica gel desiccant can be reused which reduces operating costs. Simply bake the silica gel in an oven for the prescribed time and temperature to regenerate the desiccant.

### Operation

Compressed air enters the desiccant dryer housing and flows downward through the bed of silica gel desiccant. As the desiccant bed becomes saturated, the color of the desiccant indicator changes from blue to white. In the bottom of the housing, the compressed air flows upwards through an integrated dust filter and into an outlet tube where it is directed to the discharge port of the dryer housing.

### Standard Features:

- Moisture indicator - signals the need to replace desiccant
- Re-usable silica gel desiccant
- Easy to read change-out indicator
- Rugged design
- Wide range of sizes

### Applications:

- Industrial paint booths
- Body shops
- Point of use
- Intermittent air uses

# Technical specifications

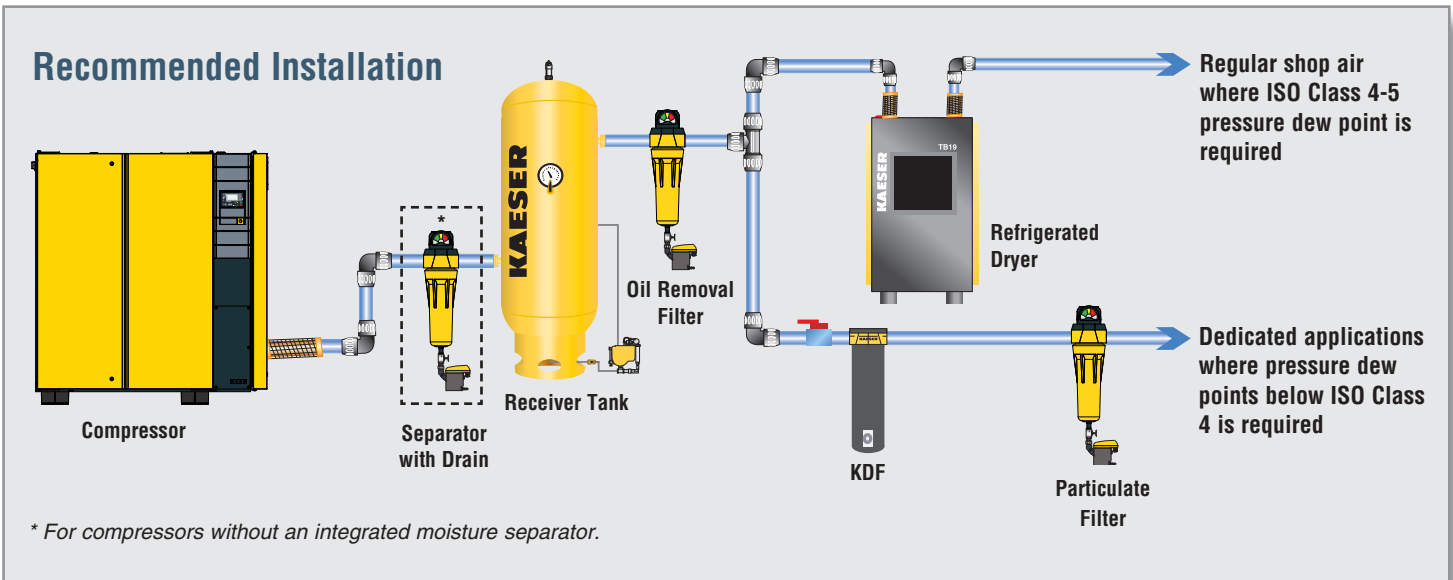
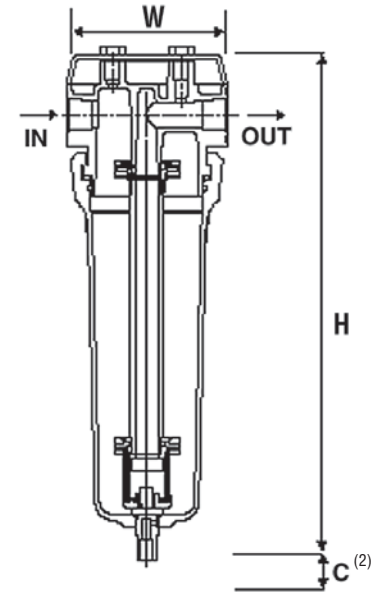
Model	Flow @ 100 psig (scfm)	In/Out Connection (in.)	scf @ 100°F inlet temp.	Dimensions W x H (in.)	Weight (lbs.)	KOR Coalescing Prefilter	Replacement Desiccant Kit
KDF 1	5	1/4	2500	4¼ x 12 <sup>5</sup> / <sub>8</sub>	13	KOR 20	KSG1
KDF 2	10		5000	4¼ x 12	15		KSG2
KDF 3	20	1/2	10,000	4¼ x 20¼	19.5	KOR 35	KSG3
KDF 4	30		15,000	4¼ x 28	22.5		KSG4

**MOP:** 200 psig; **MOT:** 125°F; **Outlet Pressure Dew point:** -40°F. Single tower desiccant dryer optional coalescing prefilter is supplied with modular connectors and a mounting bracket. Each replacement desiccant kit contains two complete changes of desiccant.<sup>(1)</sup>

**NOTES:** <sup>(1)</sup> Rated life at stated flow: 8 Hr., 20 Min.

<sup>(2)</sup> C = Minimum bowl removal clearance is 3 inches for all models.

Specifications are subject to change without notice.



**Built for a lifetime.™**



[www.kaeser.com](http://www.kaeser.com)

**Kaeser Compressors, Inc.**  
 511 Sigma Drive  
 Fredericksburg, VA 22408 USA  
 Telephone: 540-898-5500  
 Toll Free: 800-777-7873  
 info.usa@kaeser.com

**Kaeser Compressors Canada Inc.**  
 3760 La Vérendrye Street  
 Boisbriand, QC J7H 1R5 CANADA  
 Telephone: (450) 971-1414  
 Toll free: (800) 477-1416  
 info.canada@kaeser.com

**Kaeser Compresores de México S de RL de CV**  
 Calle 2 #123  
 Parque Industrial Jurídica  
 76100 Querétaro, Qro.  
 Telephone: 01 (442) 218 64 48  
 sales.mexico@kaeser.com

**Kaeser Compresores de Guatemala y Cia. Ltda.**  
 Calz. Atanasio Tzul 21-00, zona 12  
 El Cortijo II, Bodega 501  
 01012-Guatemala City  
 Telephone: +502 2412-6000  
 info.guatemala@kaeser.com

