



Model STR UTV Fire Skid and Storage System Specifications



A Division of MTECH, Inc.
1072 Marauder, Suite 210
Chico, CA 95973
1.888.797.5100
www.qtacfire.com
www.mtechincorporated.com



TANK

The tank shall have the following characteristics:

- QTAC PolyTough™ extrusion-welded Copolymer Polypropylene construction
- Capacity of 40 gallons of water
 - OPTION: Capacities of 50 or 60 gallons optional at no extra charge
- 3/8" internal baffles with interlocking design to meet NFPA standards
- Pump suction plumbed to the center of the tank with anti-cavitation device
- 1-1/2" tank drain
- 4" vented fill tower
- Site tube to gauge water level
- Flange-mounted anchor points to secure the skid unit to the bed
- Integrated tank features adjustable side rails to facilitate mounting of side storage boxes or trays
- OPTION: Forklift runners

PUMP & ENGINE

The pump system shall have the following characteristics:

- Honda GXH50 2.2hp engine with recoil start and low oil sensor with Koshin 1-1/2" self-priming centrifugal pump (61 PSI Max; 73 GPM Max)
 - OPTION: Honda GX200 5.5hp engine with recoil start and low oil sensor with Waterax Versax 6 2" self-priming centrifugal pump (120 PSI Max; 105 GPM Max)
- 1-1/2" auxiliary suction (Koshin)
 - OPTION: Draft hose kit
- 2" auxiliary suction (Waterax)
 - OPTION: Draft hose kit
 - OPTION: 2" NST Suction
- 1" discharge
 - OPTION: 1-1/2" NST Discharge
- 1" gated discharge to hose reel
- 2" gated tank to pump
- 1" gated pump to tank return / fill
- All plumbing to be of either composite polypropylene, brass, or stainless steel



STORAGE BOXES

The storage boxes shall have the following characteristics:

- QTAC PolyTough™ extrusion-welded Copolymer Polypropylene construction
- Approximately 6.2 cubic feet of storage area
- QTAC sleek hinge doors with recessed gas shocks
- Stainless steel locking latches

FOAM

The foam system shall have the following characteristics:

- OPTION: End-of-line foam system, includes:
 - Aerating nozzle
 - ¼ turn end-of-line shut-off
- With Honda GX200 5.5hp equipped QTAC
 - OPTION: Around-the-pump foam system, includes:
 - MTECH PolyTough™ extrusion-welded Copolymer Polypropylene construction 2.5-gallon external foam reservoir
 - Threaded 6" fill well, flush mounted at top of tank with vented cap
 - Adjustable through-the-pump foam proportioner
 - Aerating nozzle

HOSE & ASSOCIATED COMPONENTS

The hose and associated hardware shall have the following characteristics:

- 3/4" X 50' of rubber booster hose
 - OPTION: 3/4" X 75' of rubber booster hose
 - OPTION: 3/4" X 100' of rubber booster hose
 - OPTION: 3/4" X 50' Red rubber booster hose kit
- Hannay electric rewind hose reel
- Nozzle Options:
 - Max 8 GPM brass bulls-eye with 1/4-turn shut off
 - Max 15 GPM D-ring fire-style nozzle
 - Max 18 GPM Vari-Nozzle



- 10-23 GPM Viper Nozzle
 - OPTION: Pistol grip bale shut off

WEIGHTS*

Dry weight, 40-Gallon Tank, Koshin SEH-40H: 415 lbs.

Wet weight, 40-Gallon Tank, Koshin SEH-40H: 750 lbs.

Dry weight, 40-Gallon Tank, Waterax Versax 6: 445 lbs.

Wet weight, 40-Gallon Tank, Waterax Versax 6: 779 lbs.

Additional weight per component:

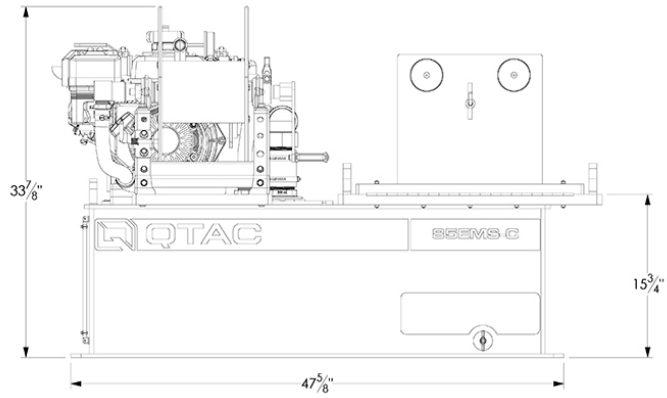
- Around-the-Pump Foam
 - 2.5-gallon
 - Dry Weight: 7 lbs.
 - Wet Weight: 28 lbs.

**All weights are approximate*

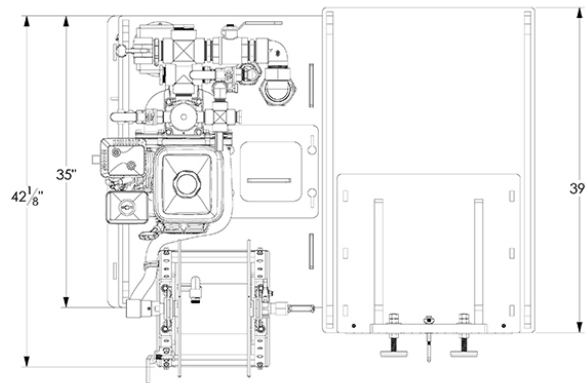


DIMENSIONS

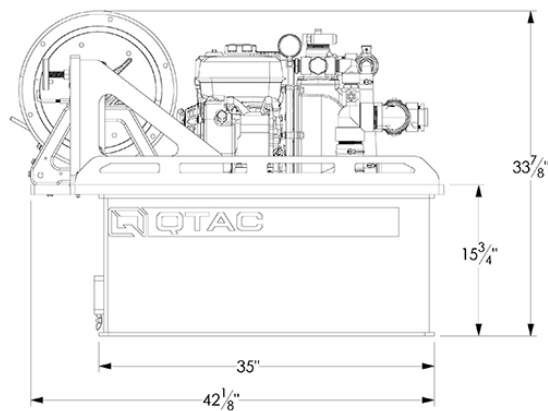
END VIEW, PLATFORM STOWED



TOP VIEW, PLATFORM STOWED

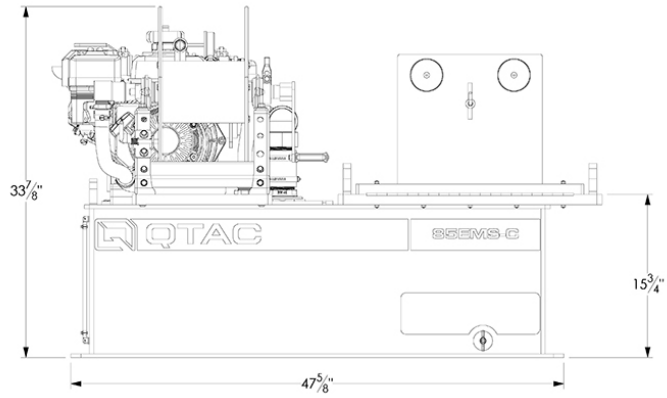


SIDE VIEW, PLATFORM STOWED

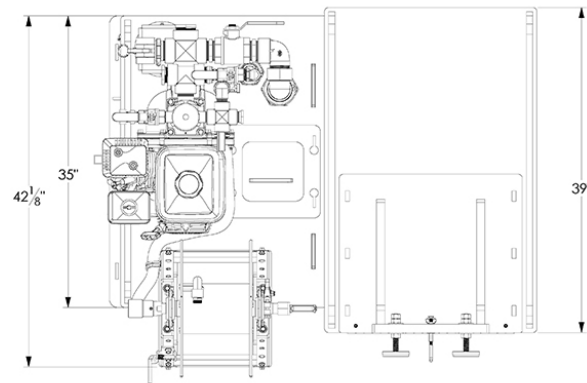


DIMENSIONS

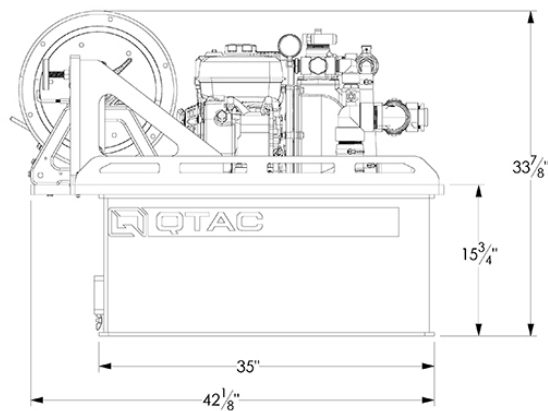
END VIEW, PLATFORM STOWED



TOP VIEW, PLATFORM STOWED

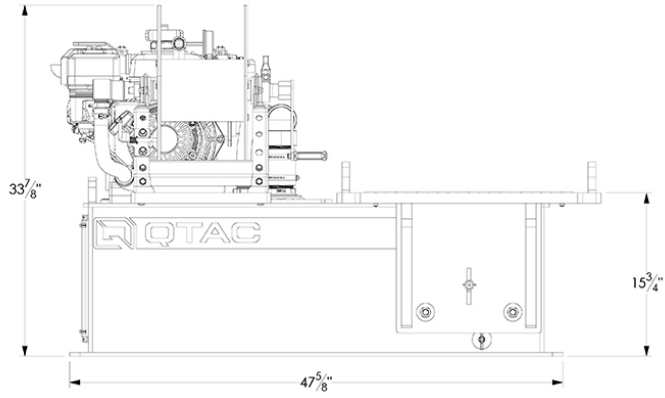


SIDE VIEW, PLATFORM STOWED

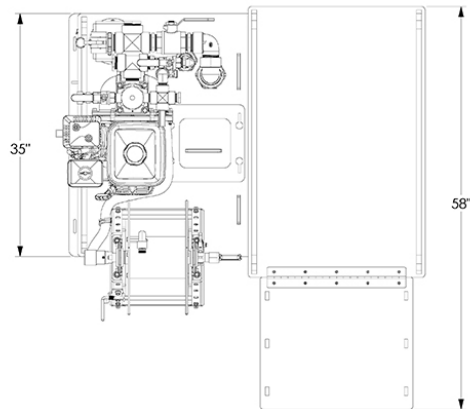


DIMENSIONS

END VIEW, PLATFORM DOWN



TOP VIEW, PLATFORM DOWN



SIDE VIEW, PLATFORM DOWN

