



Model 85EMS UTV Fire Skid Specifications



A Division of MTECH, Inc.
1072 Marauder, Suite 210
Chico, CA 95973
1.888.797.5100
www.qtacfire.com
www.mtechincorporated.com



TANK

The tank shall have the following characteristics:

- MTECH PolyTough™ extrusion-welded Copolymer Polypropylene construction
- Capacity of 85 gallons of water
 - OPTION: Capacity restrictors down to 60 gallons
- 3/8" internal baffles with interlocking design to meet NFPA standards
- Pump suction plumbed to the center of the tank with anti-cavitation device
- 1-1/2" tank drain
- 4" vented fill tower
- Site tube to gauge water level
- Flange-mounted anchor points to secure the skid unit to the bed
- Mounting pad for hose reel
- Fixed EMS platform
- OPTION: Forklift runners

PUMP & ENGINE

The pump system shall have the following characteristics:

- Honda GXH50 2.2hp engine with recoil start and low oil sensor with Koshin 1-1/2" self-priming centrifugal pump (61 PSI Max; 73 GPM Max)
 - OPTION: Honda GX200 5.5hp engine with recoil start and low oil sensor with Waterax Versax 6 2" self-priming centrifugal pump (120 PSI Max; 105 GPM Max)
- 1-1/2" auxiliary suction (Koshin)
 - OPTION: Draft hose kit
- 2" auxiliary suction (Waterax)
 - OPTION: Draft hose kit
 - OPTION: 2" NST Suction
- 1" discharge
 - OPTION: 1-1/2" NST Discharge
- 1" gated discharge to hose reel
- 2" gated tank to pump
- 1" gated pump to tank return / fill
- All plumbing to be of either composite polypropylene, brass, or stainless steel



FOAM

The foam system shall have the following characteristics:

- OPTION: End-of-line foam system, includes:
 - Aerating nozzle
 - ¼ turn end-of-line shut-off
- With Honda GX200 5.5hp equipped QTAC
 - OPTION: Around-the-pump foam system, includes:
 - MTECH PolyTough™ extrusion-welded Copolymer Polypropylene construction 2.5-gallon external foam reservoir
 - Threaded 6" fill well, flush mounted at top of tank with vented cap
 - Adjustable through-the-pump foam proportioner
 - Aerating nozzle
 - OPTION: 5-gallon foam reservoir

HOSE & ASSOCIATED COMPONENTS

The hose and associated hardware shall have the following characteristics:

- 3/4" X 50' of rubber booster hose
 - OPTION: 3/4" X 75' of rubber booster hose
 - OPTION: 3/4" X 100' of rubber booster hose
 - OPTION: 3/4" X 50' of Red rubber booster hose kit
- Hannay manual rewind hose reel
 - OPTION: Hannay electric rewind hose reel
- Nozzle Options:
 - Max 8 GPM brass bulls-eye with 1/4-turn shut off
 - Max 15 GPM D-ring fire-style nozzle
 - Max 18 GPM Vari-Nozzle
 - 10-23 GPM Viper Nozzle
 - OPTION: Pistol grip bale shut off



WEIGHTS*

Dry weight, Koshin SEH-40H and manual hose reel: 241 lbs.

Wet weight, Koshin SEH-40H and manual hose reel: 950 lbs.

Dry weight, Waterax Versax 6 and manual hose reel: 271 lbs.

Wet weight, Waterax Versax 6 and manual hose reel: 980 lbs.

Additional weight per component:

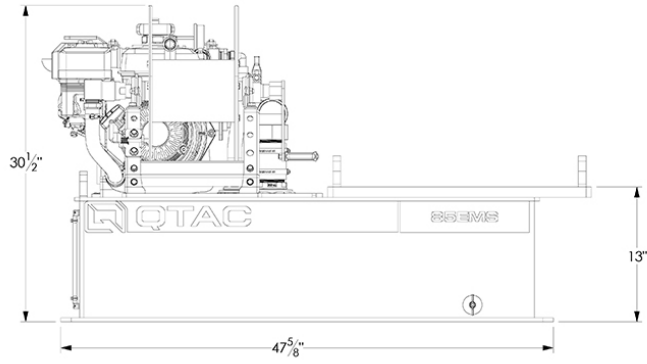
- Electric hose reel: 30 lbs.
- Around-the-Pump Foam
 - 2.5-gallon
 - Dry Weight: 7 lbs.
 - Wet Weight: 28 lbs.
 - 5-gallon
 - Dry Weight: 11 lbs.
 - Wet Weight: 53 lbs.

**All weights are approximate*

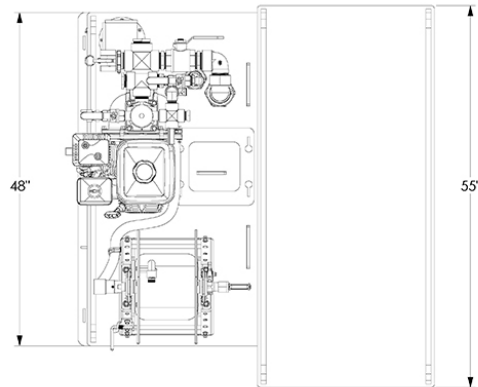


DIMENSIONS

END VIEW



TOP VIEW



SIDE VIEW

