



Model 85EMS-C UTV Fire Skid Specifications



A Division of MTECH, Inc.
1072 Marauder, Suite 210
Chico, CA 95973
1.888.797.5100
www.qtacfire.com
www.mtechincorporated.com



TANK

The tank shall have the following characteristics:

- MTECH PolyTough™ extrusion-welded Copolymer Polypropylene construction
- Capacity of 85 gallons of water
 - OPTION: Capacity restrictors down to 60 gallons
- 3/8" internal baffles with interlocking design to meet NFPA standards
- Pump suction plumbed to the center of the tank with anti-cavitation device
- 1-1/2" tank drain
- 4" vented fill tower
- Site tube to gauge water level
- Flange-mounted anchor points to secure the skid unit to the bed
- Mounting pad for hose reel
- OPTION: Forklift runners
- **Folding EMS platform with adjustable stops. Allows tailgate to be in the up position when platform is not in use.**

PUMP & ENGINE

The pump system shall have the following characteristics:

- Honda GXH50 2.2hp engine with recoil start and low oil sensor with Koshin 1-1/2" self-priming centrifugal pump (61 PSI Max; 73 GPM Max)
 - OPTION: Honda GX200 5.5hp engine with recoil start and low oil sensor with Waterax Versax 6 2" self-priming centrifugal pump (120 PSI Max; 105 GPM Max)
- 1-1/2" auxiliary suction (Koshin)
 - OPTION: Draft hose kit
- 2" auxiliary suction (Waterax)
 - OPTION: Draft hose kit
 - OPTION: 2" NST Suction
- 1" discharge
 - OPTION: 1-1/2" NST Discharge
- 1" gated discharge to hose reel
- 2" gated tank to pump
- 1" gated pump to tank return / fill
- All plumbing to be of either composite polypropylene, brass, or stainless steel



FOAM

The foam system shall have the following characteristics:

- OPTION: End-of-line foam system, includes:
 - Aerating nozzle
 - ¼ turn end-of-line shut-off
- With Honda GX200 5.5hp equipped QTAC
 - OPTION: Around-the-pump foam system, includes:
 - MTECH PolyTough™ extrusion-welded Copolymer Polypropylene construction 2.5-gallon external foam reservoir
 - Threaded 6" fill well, flush mounted at top of tank with vented cap
 - Adjustable through-the-pump foam proportioner
 - Aerating nozzle
 - OPTION: 5-gallon foam reservoir

HOSE & ASSOCIATED COMPONENTS

The hose and associated hardware shall have the following characteristics:

- 3/4" X 50' of rubber booster hose
 - OPTION: 3/4" X 75' of rubber booster hose
 - OPTION: 3/4" X 100' of rubber booster hose
 - OPTION: 3/4" X 50' Red rubber booster hose kit
- Hannay manual rewind hose reel
 - OPTION: Hannay electric rewind hose reel
- Nozzle Options:
 - Max 8 GPM brass bulls-eye with 1/4-turn shut off
 - Max 15 GPM D-ring fire-style nozzle
 - Max 18 GPM Vari-Nozzle
 - 10-23 GPM Viper Nozzle
 - OPTION: Pistol grip bale shut off



WEIGHTS*

Dry weight, Koshin SEH-40H and manual hose reel: 251 lbs.

Wet weight, Koshin SEH-40H and manual hose reel: 960 lbs.

Dry weight, Waterax Versax 6 and manual hose reel: 281 lbs.

Wet weight, Waterax Versax 6 and manual hose reel: 990 lbs.

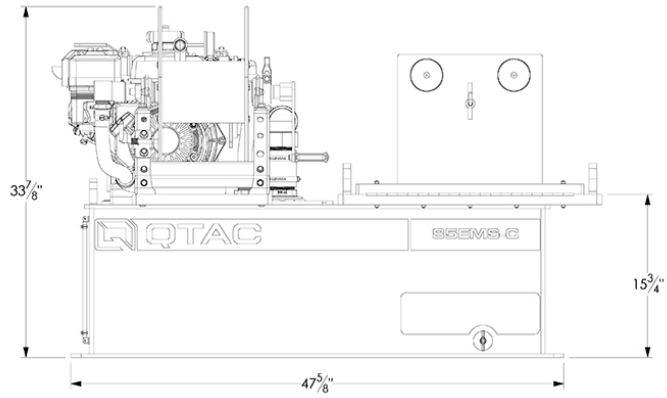
Additional weight per component:

- Electric hose reel: 30 lbs.
- Around-the-Pump Foam
 - 2.5-gallon
 - Dry Weight: 7 lbs.
 - Wet Weight: 28 lbs.
 - 5-gallon
 - Dry Weight: 11 lbs.
 - Wet Weight: 53 lbs.

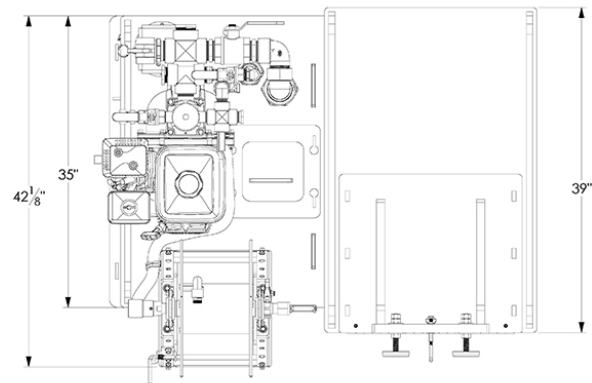
**All weights are approximate*

DIMENSIONS

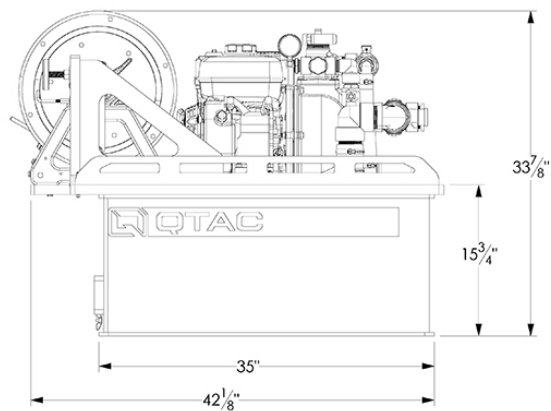
END VIEW, PLATFORM STOWED



TOP VIEW, PLATFORM STOWED

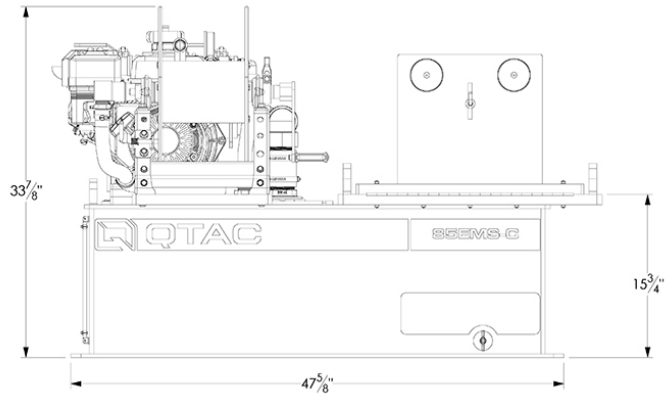


SIDE VIEW, PLATFORM STOWED

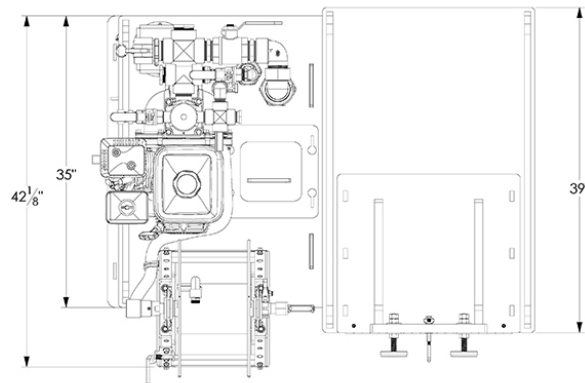


DIMENSIONS

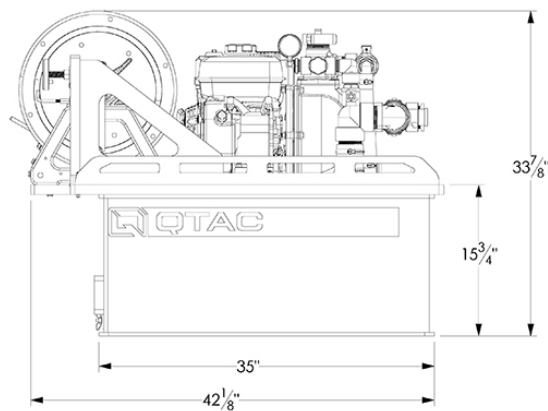
END VIEW, PLATFORM STOWED



TOP VIEW, PLATFORM STOWED

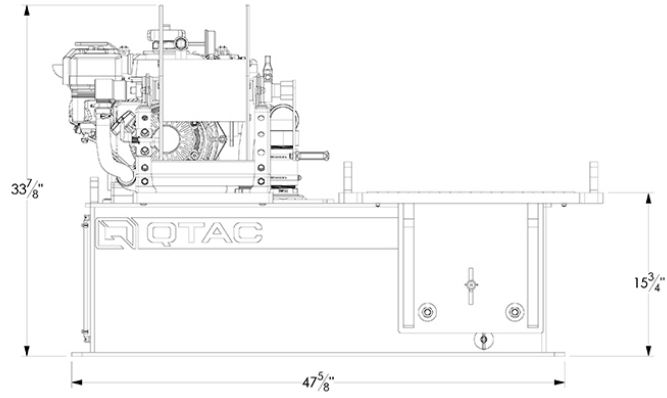


SIDE VIEW, PLATFORM STOWED

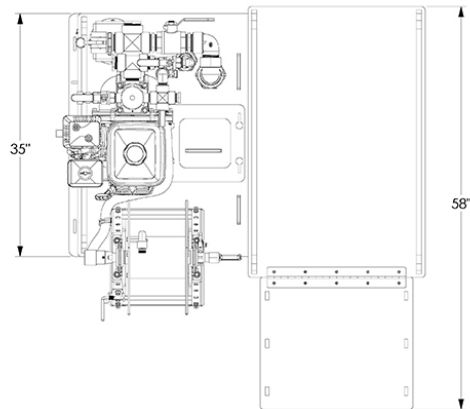


DIMENSIONS

END VIEW, PLATFORM DOWN



TOP VIEW, PLATFORM DOWN



SIDE VIEW, PLATFORM DOWN

