



Model 85S UTV Fire Skid Specification



A Division of MTECH, Inc.
1072 Marauder, Suite 210
Chico, CA 95973
1.888.797.5100
www.qtacfire.com
www.mtechincorporated.com



TANK

The tank shall have the following characteristics:

- MTECH PolyTough™ extrusion-welded Copolymer Polypropylene construction
- Capacity of 85 gallons of water
 - OPTION: Capacity restrictors down to 60 gallons
- 3/8" internal baffles with interlocking design to meet NFPA standards
- Pump suction plumbed to the center of the tank with anti-cavitation device
- 1-1/2" tank drain
- 4" vented fill tower
- Site tube to gauge water level
- Flange-mounted anchor points to secure the skid unit to the bed
- Mounting pad for hose reel
- OPTION: Forklift runners

PUMP & ENGINE

The pump system shall have the following characteristics:

- Honda GXH50 2.2hp engine with recoil start and low oil sensor with Koshin 1-1/2" self-priming centrifugal pump (61 PSI Max; 73 GPM Max)
- 1-1/2" auxiliary suction
 - OPTION: Draft hose kit
 - OPTION: 2" NST Suction
- 1" discharge
- 1" to hose reel
- 2" tank to pump
- 1" pump to tank fill/return
- All plumbing to be of either composite polypropylene, brass, or stainless steel



FOAM

The foam system shall have the following characteristics:

- OPTION: End-of-line foam system, includes:
 - Aerating nozzle
 - ¼ turn end-of-line shut-off

HOSE & ASSOCIATED COMPONENTS

The hose and associated hardware shall have the following characteristics:

- 3/4" X 50' of rubber booster hose
 - OPTION: 3/4" X 75' of rubber booster hose
 - OPTION: 3/4" X 100' of rubber booster hose
 - OPTION: 3/4" X 50' of Red rubber booster hose kit
- MTECH PolyTough™ hose rack
 - OPTION: Hannay manual rewind hose reel
 - OPTION: Hannay electric rewind hose reel
- Nozzle Options:
 - Max 8 GPM brass bulls-eye with 1/4-turn shut off
 - Max 15 GPM D-ring fire-style nozzle
 - Max 18 GPM Vari-Nozzle
 - 10-23 GPM Viper Nozzle
 - OPTION: Pistol grip bale shut off

WEIGHTS*

Dry weight: 141 lbs.

Wet weight: 850 lbs.

Additional weight per component:

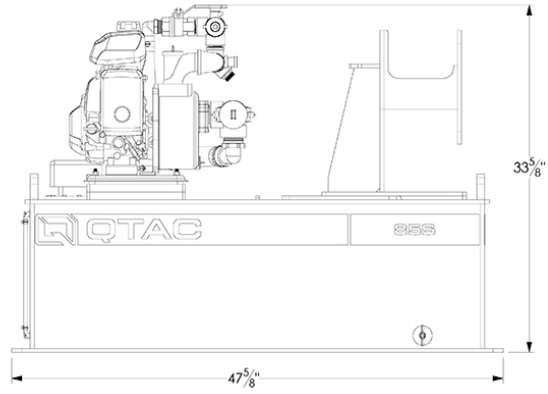
- Manual hose reel: 30 lbs.
- Electric hose reel: 60 lbs.

**All weights are approximate*

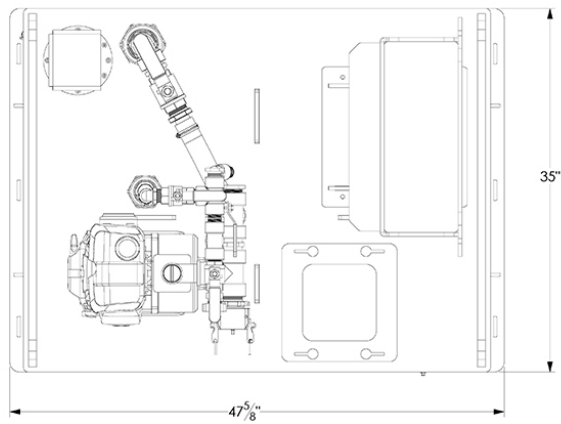


DIMENSIONS

END VIEW



TOP VIEW



SIDE VIEW

